

Camera

Image Sensor	1/3" OV4689 High Performance CMOS
Resolution	4MP / 2688 x 1520
Main Processor	Hi3516D
Compression	H.264/H.265/JPEG/AVI/MJPEG
Audio	NO
Effective Pixels	2688 x 1520
Power	Internal POE

Lens

Verifocal / Fixed	Fixed
Focal Length	3.6mm
Focus Control	N/A
Lens Type	Fixed

Night Vision

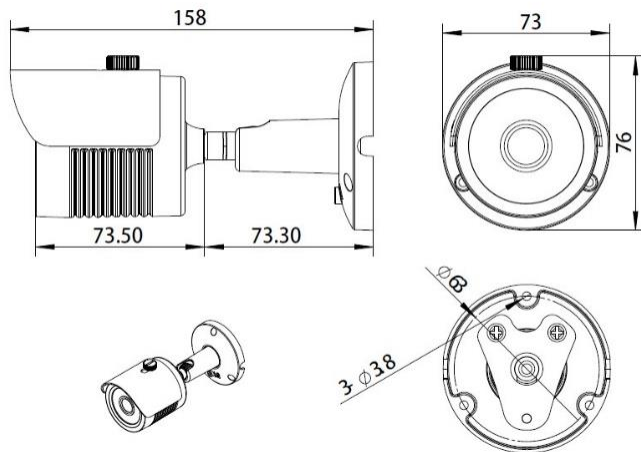
Infrared LED	42μ x 2PCS
IR Range	30M (100ft)
Day/Night	IR-CUT
Auto Control IR LED	CDS Auto Control

Camera Features

OSD Menu	Yes
WDR	Yes
ONVIF	Supports version 2.4
Noise Reduction	DNR
Day / Night	Yes
Image Config	Saturation/Brightness/Contrast /Sharpness, Mirror, 3D NR , White Balance, FLK(Flicker Control)

General

Weatherproof	IP66
Operating Temperature	-4 – 140 F
Operating Humidity	95% RH Max
Power	DC12V 700mA
Dimension	157 x 70 x 66
Weight	23oz / 1.44lb / 650g



Special Features:
Small and Lightweight Profile

