

STOIC

CLARITY | INNOVATION | VISION

IPS-B8100W Stoic Technologies Starlight 5MP IP Bullet Camera with, WDR, Internal POE, SD Card Slot, IP66 Weatherproof, ONVIF 2.4 Support, 100' Night Vision, IP Cut Filter, Smart IR

IPS-B8100W



SPECIFICATIONS:

Model NO.	IPS-B8100W
Camera	
Image Sensor	1/2.8" SONY Starvis Back-illuminated CMOS sensor
Resolution	5MP
Effective Pixels	2616 (H) x 1964 (V)
Compression	H.264/H.264+/H.265/H.265+/JPEG/AVI /MJPEG
TV System	PAL/NTSC
Electronic Shutter Time	Auto: PAL 1/25-1/10000Sec; NTSC 1/25-1/10000Sec
Minimum Illumination	0.01Lux
S/N Ratio	≥52dB
Scanning System	Progressive
Video Output	Network
Reset Button	Optional
Lens	
Focus Length	3.6mm
Focus Control	Fixed
Lens Type	Fixed
Pixels	6MP
Night Vision	
Infrared LED	42μ x 2PCS
Infrared Distance	30M (100 Feet)
IR Status / Power On	Auto Control / Auto Control
Starlight	YES
Network	
Ethernet	RJ-45 (10/100Base-T)
Wireless	/

Protocol	TCP/IP,ICMP,HTTP,HTTPS,FTP,DHCP,DNS,DDNS,RTP,RTSP,RTCP,NTP,SMTP
ONVIF	Support ONVIF 2.4
P2P	YES, Support QR Code
POE	Optional/Internal, Support IEEE 802.3af
Video Delay	0.3S (Within the Lan)
Main Stream 1	2592*1944@20fp 2560*1920@20fp
Main Stream 2	2560*1440@25fp
Main Stream 3	1920*1080@30fps 1280*720@30fps
Sub Stream 1	720*480@15fps 720*480@30fps
Sub Stream 2	/
Sub Stream 3	/
Tri Stream	352*288@15fps 352*288@30fps
IE Brower	IE8-11, Google Chrome (lower than Ver44), Firefox (lower than Ver53), Mac Safari
Smart Phone	iPhone, iPad, Android, Android Pad

Camera Features

Day/Night	Color/ B&W (IR-CUT)
Image Config	Saturation/Brightness/Contrast /Sharpness, Mirror, 3D NR , White Balance, FLK(Flicker Control), Video Tampering
Starlight	YES
Corridor Pattern	Support
Defog Mode	Support
ROI	Support
BLC	Support
HDR	/
WDR	Support
Motion Detection	Support
Privacy Masking	3 Rectangular Zone
Recording Mode	NVR/CMS/Web
Language	Chinese Simplified, Chinese Traditional, English, Bulgarian, Polish, Farsi, German, Russian, French, Korean, Portuguese, Japanese, Turkish, Spanish, Hebrew, Italian,Nederlands

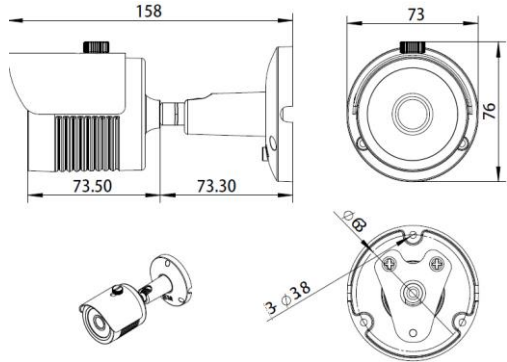
Interface

Audio	
Alarm	/
SD Card Slot	Support Max 128GB, Internal
RS485	/

General

Housing	Metal ,IP66
Anti-cut Bracket	YES
IR Cut Filter	YES
Operation Temperature	-20℃ ~ +60℃ RH95% Max

Storage Temperature	-20°C ~ +60°C RH95% Max
Power Source	DC12V±10%, 700mA / Internal POE
Dimension	157(W) x 70(H) x 66(D)mm
Weight	650g



Optional MB-2080 Deep Base (Shown Below)



www.stoiccctv.com