

STOIC

CLARITY | INNOVATION | VISION

Stoic Technologies 4MP IP Bullet Camera, 3.6MM Fixed Lens, ONVIF Support, IP66 Weatherproof, Internal POE, SD Card Slot, WDR, IR Cut Filter, 98 Feet Night Vision

IPS-B8100W



SPECIFICATIONS:

Model NO.	IPS-B8100W
Camera	
Image Sensor	1/3" OV High-resolution CMOS Sensor
Resolution	4MP
Effective Pixels	2688(H)*1520(V)
Compression	H.264/H.265/JPEG/AVI/MJPEG
TV System	PAL/NTSC
Electronic Shutter Time	Auto: PAL 1/25-1/10000Sec; NTSC 1/25-1/10000Sec
S/N Ratio	≥52dB
Scanning System	Progressive
Video Output	Network
Reset Button	Optional
Lens	
Focus Length	3.6mm (6mm Optional)
Focus Control	Fixed
Lens Type	Fixed
Pixels	4MP
Night Vision	
Infrared LED	42μ x 2PCS
Infrared Distance	30M (98 Feet)

IR Status	Under 10 Lux By CDS
IR Power On	CDS Auto Control

Network

Ethernet	RJ-45 (10/100Base-T)
Protocol	TCP/IP,ICMP,HTTP,HTTPS,FTP,DHCP,DNS,DDNS,RTP,RTSP,RTCP,NTP,SMTP
ONVIF	Support ONVIF 2.4
P2P	YES, Support QR Code
POE	Internal, Support IEEE 802.3af
Video Delay	0.3S (Within the Lan)
Main Stream 1	2560*1440@20fps
Main Stream 2	2304*1296@30fps
Main Stream 3	1920*1080@30fps
Sub Stream 1	720*480@20fps 720*480@30fps
Sub Stream 2	/
Sub Stream 3	/
Tri Stream	352*288@20fps 352*288@30fps
IE Brower	IE8-11, Google Chrome, Firefox, Safari, Mac Safari
Smart Phone	iPhone, iPad, Android, Android Pad

Camera Features

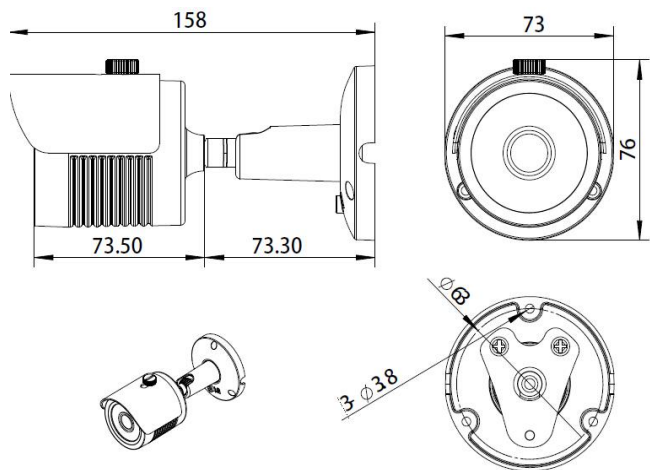
Day/Night	Color/ B&W (IR-CUT)
Image Config	Saturation/Brightness/Contrast /Sharpness, Mirror, 3D NR , White Balance, FLK(Flicker Control)
Starlight	/
Corridor Pattern	Support
Defog Mode	Support
ROI	/
BLC	Support
HDR	/
WDR	Support
Motion Detection	Support
Privacy Masking	3 Rectangular Zone
Recording Mode	NVR/NAS/CMS/Web
Language	Chinese Simplified, Chinese Traditional, English, Bulgarian, Polish, Farsi, German, Russian, French, Korean, Portuguese, Japanese, Turkish, Spanish, Hebrew, Italian,Nederlands

Interface

Audio	No
Alarm	/
SD Card Slot	Yes, Support Max 64GB
RS485	/

General

Housing	Metal ,IP66
Anti-cut Bracket	YES
IR Cut Filter	YES
Operation Temperature	-20°C ~ +60°C RH95% Max
Storage Temperature	-20°C ~ +60°C RH95% Max
Power Source	DC12V±10%, 900mA
Dimension	157(W) x 70(H) x 66(D)mm
Weight	650g



Shown with **Optional** MB-2080
Deep Base Junction Box



www.stoiccctv.com