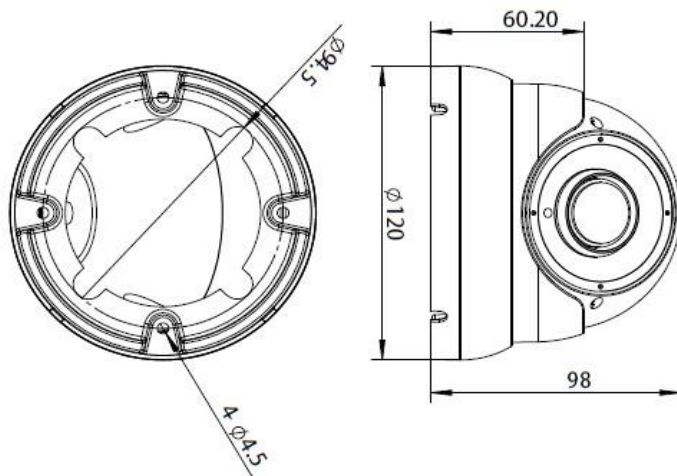


STOiC 4-In-1 Technology	STH-D5090B
Camera	
Image Sensor	1/3" SONY IMX323 2.4MP CMOS
Resolution	1920 x 1080 (1080p)
Effective Pixels	1920 x 1080
Lens	
Focus Length	2.8-12mm
Varifocal / Fixed	Varifocal
Night Vision	
Infrared LED	14μ x 24PCS
IR Range	30M / 100ft
Auto Control IR LED	CDS Auto Control (IR Cut Filter)
Camera Features	
OSD Menu	Yes
WDR	Yes
UTC	With supported DVRs.
Noise Reduction	3DNR
Day / Night	Yes
Compatibility	AHD, TVI, CVI, and SD Analog (4-in-1)
General	
Housing	Metal, IP66 Rated
Operating Temperature	-10C ~ 50C / 14F ~ 122F
Operating Humidity	95% RH Max
Power	DC12V 700mA
Dimension	131(W) x 93(H)mm
Weight	800g / 28oz (1.76lbs)



Special Features:

- 4-IN-1 Technology
- Variable Focus

STOIC
Clarity | Innovation | Vision

STOICCCTV.COM

HD
4 IN 1