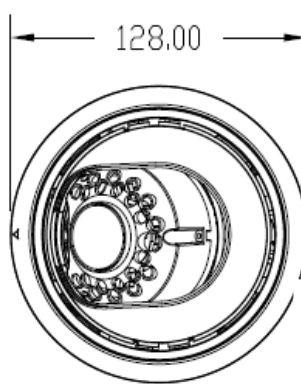
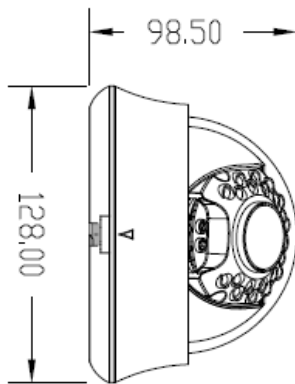


STOiC 4-In-1 Technology	STH-D2100W
<b>Camera</b>	
Image Sensor	1/3" 2MP SONY IMX290 STARVIS CMOS
Resolution	1920 x 1080 (1080p)
Effective Pixels	1920 x 1080
<b>Lens</b>	
Focus Length	2.8-12mm
Verifocal / Fixed	Varifocal
<b>Night Vision</b>	
Infrared LED	12μ x 21PCS
IR Range	20M / 70ft
Auto Control IR LED	CDS Auto Control (IR Cut Filter)
<b>Camera Features</b>	
OSD Menu	Yes
WDR	Yes
UTC	With supported DVRs.
Noise Reduction	3DNR
Day / Night	Yes
Compatibility	AHD, TVI, CVI, and SD Analog (4-in-1)
<b>General</b>	
Housing	High Impact Poly (Indoor Non-Weatherproof)
Operating Temperature	-10C ~ 50C / 14F – 144F
Operating Humidity	95% RH Max
Power	DC12V 700mA
Dimension	128 x 98.5mm
Weight	750g / 26.45 (1.65lbs)



#### Special Features:

- STARVIS Low-Light CMOS
- 4-IN-1 Technology

**STOiC**

Clarity | Innovation | Vision

STOICCCTV.COM

**HD**  
4 IN 1