

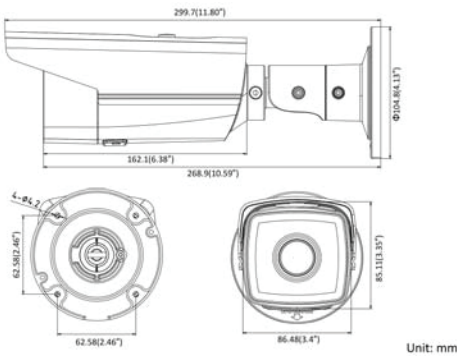
# THK-NC328-XB



## KEY FEATURES

- ◆ Up to 8 megapixel high resolution
- ◆ Max. 3840 x 2160 @20fps
- ◆ H.265, H265+, H.264+, H.264
- ◆ 120dB Wide Dynamic Range
- ◆ 3D Digital Noise Reduction
- ◆ 12 VDC & PoE (802.3af)
- ◆ IR range : 50m (150 Ft.)
- ◆ Support on-board storage, up to 128GB
- ◆ IP67

## DIMENSIONS



## ACCESSORIES (Optional. Sold Separately)



DS-1280ZJ-S  
Junction Box

## THK-NC328-XB

Image Sensor	1/2.5" Progressive Scan CMOS
Min. Illumination	Color: 0.01 Lux @ (F1.2, AGC ON), 0 Lux with IR
Shutter Speed	1/3s to 1/100,000s
Slow Shutter	Support
Lens	4 mm, horizontal field of view: 79°
Day & Night	IR Cut Filter
Digital Noise Reduction	3D DNR
Wide Dynamic Range	120dB
3-Axis Adjustment	Pan: 0° to 360°, tilt: 0° to 100°, rotate: 0° to 360°

### Compression Standard

Video Compression	Main stream: H.265/H.264
	Sub stream: H.265/H.264/MJPEG
	Third stream: H.265/H.264
Video Bit Rate	32 Kbps to 16 Mbps

### Image

Max. Resolution	3840 x 2160
Image Enhancement	BLC/3D DNR
Image Setting	Support rotate mode, brightness, contrast, saturation, and sharpness are adjustable via web browser and client software
ROI (Region of Interest)	Support 1 fixed region for mainstream and sub stream separately
Day/Night Switch	Auto/Scheduled

### Network

Network storage	Support Micro SD/SDHC/SDXC card (128G), local storage, NAS (NFS,SMB/CIFS), ANR
Alarm Trigger	Motion detection, Tampering Alarm, Network Disconnected, IP Address Conflict, Illegal Login, HDD full, HDD error
Protocols	TCP/IP, UDP, ICMP, HTTP, HTTPS, FTP, DHCP, DNS, DDNS, RTP, RTSP, RTCP, PPPoE, NTP, UPnP, SMTP, SNMP,IGMP, 802.1X, QoS, IPv6
Standard	ONVIF (PROFILE S, PROFILE G), PSIA, CGI, ISAPI
General Function	One-key reset, Anti-Flicker, Heartbeat, Mirror, Password Protection, Privacy Mask, Watermark, IP Address Filter
Communication Interface	1 RJ45 10M/100M self-adaptive Ethernet port

### Smart Feature-set

Video Analytics	Line crossing detection, intrusion detection, unattended baggage detection, object removal detection, Face detection
-----------------	--

### General

Operating conditions	-30 °C to +60 °C (-22 °F to +140 °F), Humidity 95% or less (non-condensing)
Power supply	12VDC ± 25%, PoE (802.3af 42.5 - 57V, class 3)
Power consumption	12VDC ± 25%, 7.5W; PoE 9.5W
IR Range	up to 50 m (150 ft.)
Protection Level	IP67
Dimensions	Camera: φ104.8 x 299.7 mm (φ4.13" x 11.8") Package: 386 x 156 x 155 mm (15.2" x 6.14" x 6.1")
Weight	Camera: 1200 g (2.65 lb.)

CMS (Remote Viewing Apps) ..... IVMS 4200 (PC / MAC)

Mobile App ..... Guarding Expert (ANDROID / iOS)