

DVR Health Monitoring Server



Features

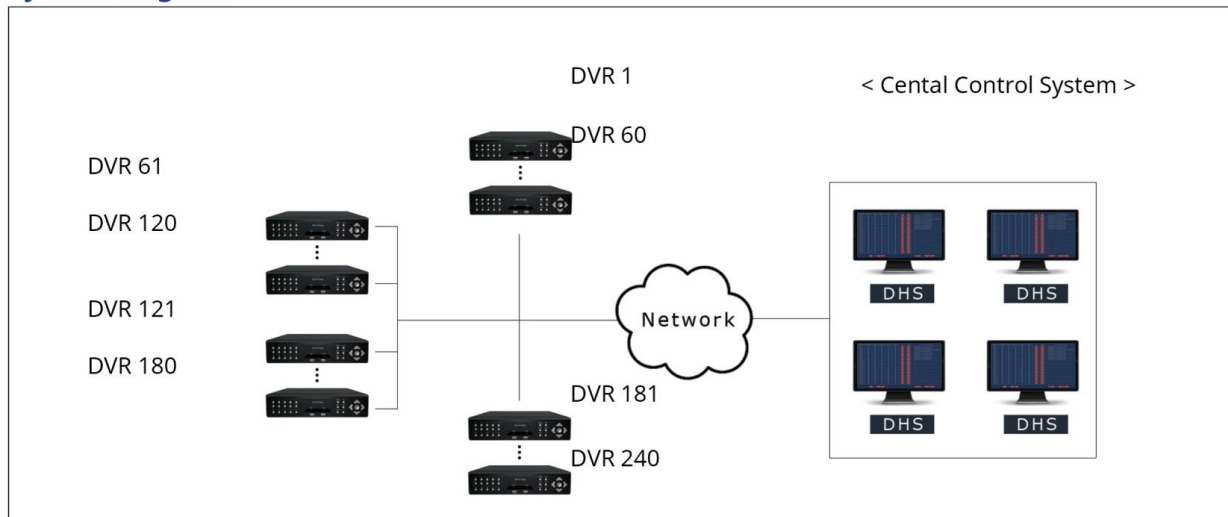
- ▣ Multiple DVR Alarm & Status (Health) Monitoring Central Server
- ▣ Real-time Alarm & Status (Health) Monitoring up to 60 remote DVRs
- ▣ Various alarm monitoring
 - motion alarm
 - video loss alarm
 - sensor alarm
- ▣ DVR status checking
 - alive status
 - record status
- ▣ System & event log saving function
- ▣ Instant switch to VMU function
- ▣ Fully support VMU function
- ▣ Stable operation using linux OS
- ▣ Compact size (127mm*87mm*28mm)
- ▣ Low power consumption (0.2A@12V)

Operation Screen

Name	Status	Record	Video Loss	Motion	Sensor	Connect	Log	116
111	●	●	●		●	Connect	View	2016/01/22 14:16:10 Dvr status error
112	●	●	●		●	Connect	View	2016/01/22 12:34:00 Record error
113	●	●	●		●	Connect	View	2016/01/22 11:50:16 Dvr status error
114	●	●	●		●	Connect	View	2016/01/22 10:59:08 Dvr status error
115	●	●	●		●	Connect	View	2016/01/22 10:54:07 Record error
116	●	●	●		●	Connect	View	2016/01/21 21:15:14 Dvr status error
121	●	●	●		●	Connect	View	2016/01/21 20:26:50 Dvr status error
122	●	●	●		●	Connect	View	2016/01/21 15:38:48 Dvr status error
123	●	●	●		●	Connect	View	2016/01/21 14:32:43 Motion ch16
124	●	●	●		●	Connect	View	2016/01/21 14:32:42 Motion ch15
125	●	●	●		●	Connect	View	2016/01/21 14:32:42 Motion ch14
126	●	●	●		●	Connect	View	2016/01/21 14:32:42 Motion ch13
141	●	●	●	●	●	Connect	View	2016/01/21 14:32:42 Motion ch12
142	●	●	●		●	Connect	View	2016/01/21 14:32:42 Motion ch11
143	●	●	●		●	Connect	View	2016/01/21 14:32:42 Motion ch10
144	●	●	●		●	Connect	View	2016/01/21 14:32:42 Motion ch9
145	●	●	●		●	Connect	View	2016/01/21 14:32:42 Motion ch8
								2016/01/21 14:32:41 Motion ch7
								2016/01/21 14:32:41 Motion ch6
								2016/01/21 14:32:41 Motion ch5
								2016/01/21 14:32:41 Motion ch4
								2016/01/21 14:32:41 Motion ch3
								2016/01/21 14:32:40 Motion ch2
								2016/01/21 14:32:40 Motion ch1
								2016/01/21 14:32:37 Motion ch8
								2016/01/21 14:32:37 Motion ch7
								2016/01/21 14:32:37 Motion ch6
								2016/01/21 14:32:37 Motion ch5
								2016/01/21 14:32:37 Motion ch4
								2016/01/21 14:32:36 Motion ch3

Prev 1/2 Next Auto << Prev 1/10 Next >> Hide

System diagram

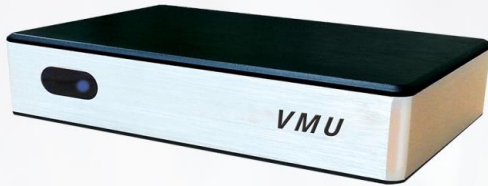


Specifications

Display resolution	1920 x 1080p
Network	10/100 Base-T
Video output	HDMI & VGA
Power requirement	12V/0.5A
Dimension	W127*D87*H28 (mm)
Weight	200g



<Rear>



VMU FEATURES

- Real-time DVR monitoring
- Various screen division mode (single, quad, 9-split, 16-split)
- Remote DVR search and playback function
- HDMI & VGA output
- Up to 16 DVRs list management
- VMU can be used for 4096 channels video matrix system using free VMC software
- Compact size



DHS FEATURES

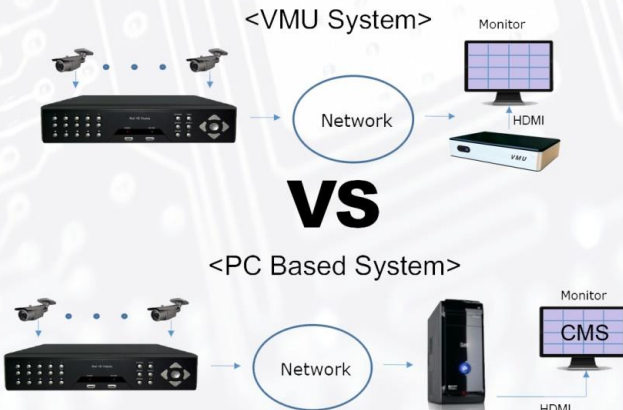
- Multiple DVR Alarm & Status Monitoring Central Server
- Real-time Alarm & Status Monitoring up to 60 remote DVRs
- Various alarm monitoring (Motion, Video Loss, Sensor)
- DVR status checking (Up Status, Record Status)
- System & event log saving function
- Instant switch to VMU function
- Fully support VMU function
- PUSH Alarm Notification via Mobile App (DHS Alarm)

Technical Specifications

Specifications	UK-VMU100
Display Resolution	1920 x 1080p
Network	10/100 Base-T
Video Output	HDMI & VGA
Power Requirement	12V/0.5A
Dimension	W127 x D87 x H28 (mm)
Weight	200g

Technical Specifications

Specifications	UK-DHS
Display Resolution	1920 x 1080p
Network	10/100 Base-T
Video Output	HDMI & VGA
Power Requirement	12V/1.0A
Dimension	W127 x D87 x H28 (mm)
Weight	200g

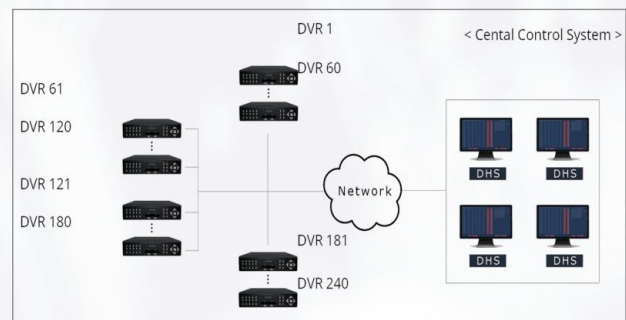


	PC Based system	VMU system
Cost	High	Low
System space	Large	small
Installation	Difficult	Easy
Stability	Low	High
Power consumption	More than 50W	Less than 5W
Stackable	Difficult & High cost	Easy & Low cost

(VMU vs. PC CMS Comparison)



(Operation Screen)



(System Diagram)