

# NXM36

CAMERA HOUSING FOR INSTALLATION IN AGGRESSIVE ENVIRONMENTS



IP66

IP67

IP68

IP69



NXM36 + VIPNX

## DESCRIPTION

The NXM36 housing has been developed for installations in highly corrosive areas such as industrial chemical, petrochemical, marine, naval and offshore platforms; entirely made from electropolished and passivated AISI 316L stainless steel for maximum protection against deterioration.

The IP66/IP67/IP68/IP69 level guarantees complete protection against bad weather and water immersion.

The options of wiper and water pump ensure a constant cleaning of the front window

For the coldest environments down to  $-40^{\circ}\text{C}$  ( $-40^{\circ}\text{F}$ ), the range includes a specific version with reinforced heater.

The NXM36 housing can be installed on NXPTH Pan & Tilt head, to obtain a complete positioning system.

The NXM36 product is Lloyd's Register Type Approval System Test Specification Number 1 certified and therefore can be used in Marine and Offshore applications for environmental categories ENV1, ENV2, ENV3 and ENV5 (eg. passenger ships, open-air decks, closed spaces and technical areas that may be subject to heat generated by other equipment, docking procedures).

## CERTIFICATIONS



## MAIN FEATURES

Made of AISI 316L electropolished stainless steel

Cylindrical body enclosed by two 6mm(0.24in)-thick circular flanges

2 PG13.5 cable glands in nickel-plated brass for external connections

IP66/IP67/IP68/IP69

Marine Certification: Lloyd's Register Marine Type Approval

Available accessories: heater and double heater (for temperatures down to  $-40^{\circ}\text{C}$  ( $-40^{\circ}\text{F}$ ), camera power supply, wiper and washer pump

## TECHNICAL DATA

### MECHANICAL

Housing manufactured in polished stainless steel (austenitic stainless alloy steel resistant to corrosion and heat):

- AISI 316L
- UNI 6900-71: X 2 Cr Ni Mo 17 12 2
- DIN 17006: X 2 Cr Ni Mo 17 13 2
- N° werkstoff: 1.4404
- AFNOR: Z2 CND 17-12
- BSI: 316S11

The screws utilised are in austenitic alloy stainless steel, corrosion and heat resistant according to the following standards:

- ISO: 7380
- AISI: 316
- ISO quality: A4

Internal usable area (WxH): 88x86mm (3.5x3.4in)

Internal usable area (with double heater) (WxH): 55x100mm (2.2x3.9in)

Internal usable length (without accessories): 334mm (13.1in)

Internal usable length (with heater and/or power supply): 245mm (9.6in)

External dimensions (ØxL): 154x358mm (6.1x14.1in)

Cable glands: 2xPG13.5 (nickel-plated brass for external connections)

Flange thickness: 6mm (0.24in) (front/back)

Gaskets: High sealing O-ring

Housing window

- Material: Tempered extra clear glass
- Usable diameter : 97mm (3.8in)
- Thick: 4mm (0.16in)

Unit weight: 5kg (11lb)

### ELECTRICAL

Supply voltage/Current consumption (version with heater, Ton 15°C±3°C (59°F±5°F), Toff 22°C±3°C (72°F±5°F)):

- 12Vdc, 1.6A max
- 24Vac, 0.85A max, 50/60Hz
- 120Vac, 0.35A max, 50/60Hz
- 230Vac, 0.18A max, 50/60Hz

Supply voltage/Current consumption (version with double heater, Ton 15°C±3°C (59°F±5°F), Toff 22°C±3°C (72°F±5°F)):

- 120Vac, 0.7A max, 50/60Hz
- 230Vac, 0.35A max, 50/60Hz

Camera power supply

- IN from 100Vac up to 240Vac, 50/60Hz - OUT 12Vdc, 1.25A
- IN 230Vac, 50Hz - OUT 24Vac, 50Hz, 400mA

### ENVIRONMENT

For installation indoors and outdoors

Submersible: up to -40m (-130ft) (pressure: 4bar)

Operating temperature with heater: from -20°C (-4°F) up to +60°C (140°F)

Operating temperature with double heater: from -40°C (-40°F) up to +60°C (140°F)

### CERTIFICATIONS

Electrical safety (CE): EN60065

Electromagnetic compatibility (CE): EN50130-4, EN61000-6-3

Lloyd's Register Marine Type Approval

- Test Specification Number 1:2015 (ENV1, ENV2, ENV3, ENV5)

IP protection degree (EN60529):

- IP66
- IP67
- IP68
- IP69

EAC certification

### ACCESSORIES

OHEH06B	Heater 120/230Vac
OHEH05B	Heater 12Vdc/24Vac
ONXPS1B	Wide range power supply for camera IN 100-240Vac - OUT 12Vdc, 1.25A
ONXPS2B	Camera power supply IN 230Vac - OUT 24Vac, 400mA
VIPNX1C	230Vac stainless steel wiper for NXM housing
VIPNX2C	24Vac stainless steel wiper for NXM housing
WASOV5L5M00	Water tank 5l (1.3gal), pump with delivery up to 5m (16ft), IN 230Vac-24Vac-120Vac
WASOV23L5M00	Water tank 23l (6 gal), pump with delivery up to 5m (16ft), IN 230Vac-24Vac-120Vac
WASOV23L11M00	Water tank 23l (6 gal), pump with delivery up to 11m (36ft), IN 230Vac-24Vac-120Vac
WAS1V23L30M00	Water tank 23l (6 gal), pump with delivery up to 30m (98ft) with water floating, IN 230Vac
WAS3V23L30M00	Water tank 23l (6 gal), pump with delivery up to 30m (98ft) with water floating, IN 120Vac
WASPTOV5L5M00	Water tank 5l (1.3gal), pump with delivery up to 5m (16ft), IN 230Vac-24Vac-120Vac
WASPTOV23L5M00	Water tank 23l (6 gal), pump with delivery up to 5m (16ft), IN 230Vac-24Vac-120Vac
WASPTOV23L11M00	Water tank 23l (6 gal), pump with delivery up to 11m (36ft) with water floating, IN 230Vac-24Vac-120Vac
WASPT1V23L30M00	Water tank 23l (6 gal), pump with delivery up to 30m (98ft) with water floating, IN 230Vac
WASPT3V23L30M00	Water tank 23l (6 gal), pump with delivery up to 30m (98ft) with water floating, IN 120Vac
DTWRX	Data receiver for remote control of the wiper and WASPT range pumps in stand-alone housings
WASNX1V10L20M00	Tank 10l (2.6gal) with integrated manual pump controlled by solenoid valve, delivery head up to 20m (66ft) max, IN 230Vac
WASNX2V10L20M00	Tank 10l (2.6gal) with integrated manual pump controlled by solenoid valve, delivery head up to 20m (66ft) max, IN 24Vac
WASNX3V10L20M00	Tank 10l (2.6gal) with integrated manual pump controlled by solenoid valve, delivery head up to 20m (66ft) max, IN 120Vac

## BRACKETS AND ADAPTORS

NXWBS1	AISI 316L stainless steel wall bracket with joint
NXC0L	AISI 316L stainless steel pole adapter module
NXCW	AISI 316L stainless steel corner adapter module

## RELATED PRODUCTS

NXPTH	Stainless steel P&T motor
-------	---------------------------

## SPARE PARTS

ONXM36MAN	Maintenance kit for NXM36
OSPAPVNXMC	Complete blade for VIPNX wiper

## PACKAGE

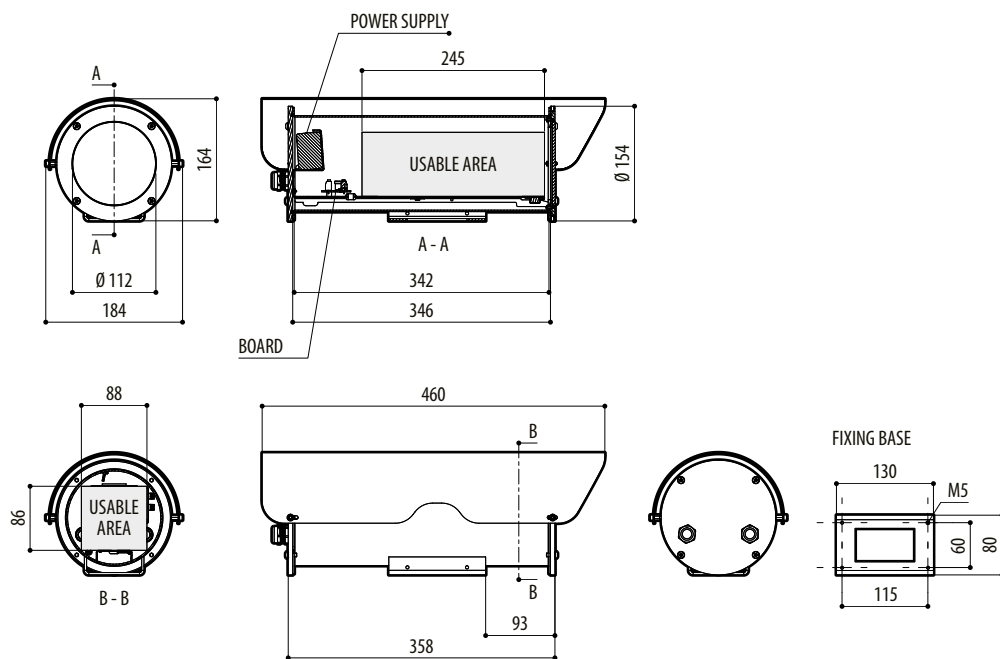
Model Number	Weight	Dimensions (WxHxL)	Master carton
NXM36K1000	6.4kg (14lb)	29.5x19.5x49cm (11.6x7.7x3.8in)	-
VIPNX	1.9kg (4.2lb)	14.5x15x27cm (6x6x11in)	15

## AVAILABLE MODELS

Model Number	Sunshield	Heater 120Vac/230Vac	Heater 12Vdc/24Vac	Double heating 120Vac/230Vac	Max consumption
NXM36D0000	-	-	-	-	-
NXM36K1000	✓	✓	-	-	40W
NXM36K1050	✓	-	-	✓	80W
NXM36K2000	✓	-	✓	-	20W

## TECHNICAL DRAWINGS

The measurements indicated are expressed in millimetres.



NXM36