

STOIC

CLARITY | INNOVATION | VISION

STOIC Technologies 5MP Starlight Vandal Dome with 2.8-12mm Manual Zoom Lens, IP66, Sony Starvis Sensor, 100IR, 4 in 1 Switchable, Smart IR

STH-D5MVS9W



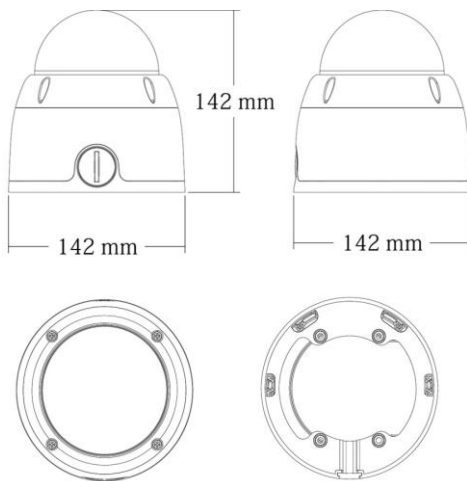
SPECIFICATIONS:

Model NO.	STH-D5MVS9W
Video Output Mode	AHD/TVI: 5M@20fps/12.5fps, 4M/2M@30fps; CVI: 4M/2M@30fps
Camera	
Image Sensor	1/2.8" SONY Starvis Back-illuminated CMOS sensor
Image Resolution	5MP
Effective Pixels	5M:2592*1944 4M:2560*1440
TV System	PAL/NTSC
Electronic Shutter	1/25s~1/50,000s , 1/30s~1/60,000s
S/N Ratio	≥50dB
Scanning System	Progressive Scan
Lens	
Focus Length	2.8-12mm
Focus Control	Manual
Lens Type	Varifocal
Pixels	5M Pixels
Auto Iris Support	NO
Night Vision	
Infrared LED	42μ x 4PCS
Infrared Distance	30M (100')
IR Power On / Off	Smart IR control
Camera Features	
Starlight	YES

Day/Night	YES
OSD Menu Language	YES
White Balance	AUTO / MANUAL
Gain Control	AUTO
Noise Reduction	3DNR
Picture Adjustment	YES
WDR	YES
OSD Support	YES
UTC	YES

General

Housing	Metal, IP66
Bracket	Optional
Dual Voltage	Optional
IR Cut Filter	YES
Heater	NO
Audio	/
Operation Temperature	-10°C ~ +50°C RH95% Max
Storage Temperature	-20°C ~ +60°C RH95% Max
Power Source	DC12V±10%, 550mA
Dimension	Φ 142 x 142(H) mm
Weight	1.2Kgs



Compatible Mounting Options:

JB-300 Deep Base Junction Box
IPSW-JB300 Deep Base Junction Box

WM-D5900 Wall Mount Bracket
STC-180W Wall Mount Bracket

CM-D59LV 17" Ceiling (Pendant) Mount

www.stoiccctv.com