

STOIC

CLARITY | INNOVATION | VISION

STOIC Technologies 2MP Bullet Camera
with 3.6MM Fixed Lens, IP66
Weatherproof, 80IR, AHD Only

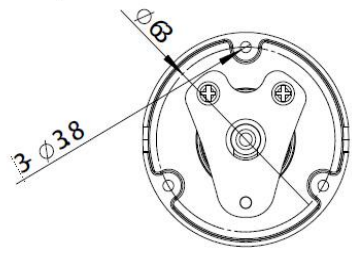
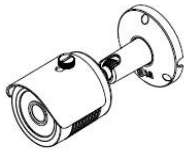
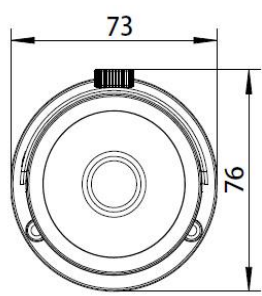
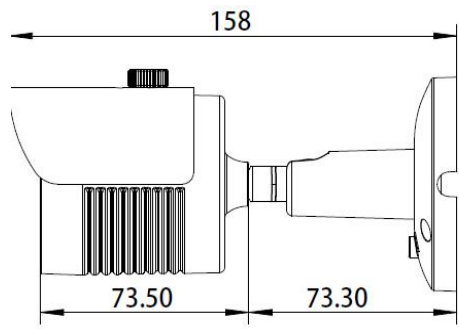
STH-B2081AHD



SPECIFICATIONS:

Model NO.	STH-B2081AHD
Video Output Mode	AHD Only
Camera	
Image Sensor	1/2.9" CMOS Sensor
Image Resolution	2MP 1080P/ 960H
Effective Pixels	1920*1080
TV System	PAL/NTSC
Electronic Shutter	1/25s~1/50,000s , 1/30s~1/60,000s
S/N Ratio	≥50dB
Scanning System	Progressive Scan
Lens	
Focus Length	3.6mm
Focus Control	Fixed
Lens Type	Fixed
Night Vision	
Infrared LED	14μ x 20PCS
Infrared Distance	25M (82')

IR Cut Filter	Yes
Camera Features	
Day/Night	YES
OSD Menu Language	YES
White Balance	AUTO / MANUAL
Gain Control	AUTO
Noise Reduction	3DNR
Picture Adjustment	YES
WDR	YES
OSD Support	YES
UTC	YES
General	
Housing	Metal, IP66
Bracket	YES
Dual Voltage	NO
IR Cut Filter	YES
Heater	NO
Audio	Optional (See STH-B2061W)
Operation Temperature	-10°C ~ +50°C RH95% Max
Storage Temperature	-20°C ~ +60°C RH95% Max
Power Source	DC12V±10%, 600mA
Dimension	157(W) x 70(H) x 66(D)mm
Weight	650g



Pictured with Optional
MB-2080 Deep Base



www.stoiccctv.com