

THK-2CD6986F-H

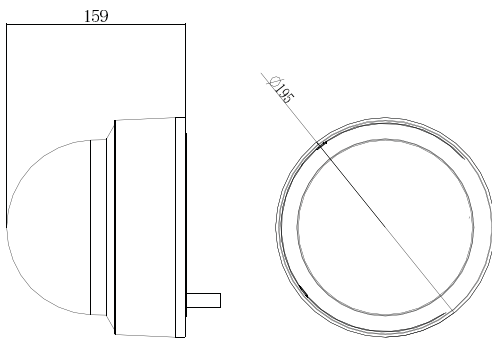
8MP Multi-Imager Panoramic Dome Camera



FEATURES & NOTES

- ◆ 1/1.9" Progressive Scan CMOS Sensor
- ◆ 4 x 5mm Fixed Lens
- ◆ 180° Horizontal View
- ◆ Up to 8MP Resolution (4x2MP Sensors)
- ◆ Ultra-Low Light
- ◆ 3D DNR
- ◆ 128GB On-Board Storage slot
- ◆ 12 VDC / 24 VAC / PoE
- ◆ Audio/Alarm I/O
- ◆ IP66 Rated / IK10 Protection
- ◆ Heater and Fan

DIMENSION



THK-2CD6986F-H	
Image Sensor	1/1.8" Progressive Scan CMOS
Min. Illumination	Color: 0.002 lux @ (F1.4, AGC ON); B/W: 0 lux with IR
Shutter Speed	1/25s to 1/100,000 s
Slow Shutter	Yes
Lens	5mm x 4, pan: 180°, tilt: 78.4°
Angle Adjustment	Pan: 0°~360°, Tilt: 45° ~ 90°
Lens Mount	CS
Day & Night	IR cut filter with auto switch/schedule/triggered by alarm
WDR	Digital
Compression Standard	
Video Compression	H.264+/H.264/MJPEG
H.264 Type	Baseline/Main/High Profile
Video Bit Rate	32 Kbps ~16 Mbps
Dual Stream	Yes
Audio Compression	G.711 (64 Kbps)/G.722.1 (16 Kbps)/G.726 (16 Kbps)/MP2L2 (32 to 192 Kbps)/AAC/PCM (16 to 64 Kbps)
Image	
Max. Resolution	4096x1800
Frame Rate	Mode 1: Main Stream: 30fps (4096x1800, 3840x1680), Sub Stream: 30fps (704x320) Mode 2: Main Stream: 24fps (2400x3840, 30fps (1200x1920), Sub Stream: 30fps (480x768, 320x512)
Image Setting	Saturation, brightness, contrast, sharpness adjustable by client software or web browser
Back Light Compensation	Yes, zone configured
Region of Interest (ROI)	Yes, 4 regions
Digital Noise Reduction	3D DNR
Defog	Yes
Network	
Network Storage	NAS (supports NFS, SMB/CIFS), ANR
Alarm Trigger	Motion detection, tamper alarm, network disconnect, IP address conflict, storage exception
Protocols	TCP/IP, UDP, ICMP, HTTP, HTTPS, FTP, DHCP, DNS, DDNS, RTP, RTSP, RTCP, PPPoE, NTP, UPnP, SMTP, SNMP, IGMP, 802.1X, QoS, IPv6, Bonjour
Security	Three level user authentication, password authorization, HTTPS and SSH certificate, IEEE802.1X, basic and digest authentication, watermark, IP address filtering, log-in lockout
Standards	ONVIF (PROFILE S, PROFILE G), PSIA, CGI, ISAPI
Interface	
Communication	1 RJ-45 10M/100M Ethernet port, RS-485 interface
On-Board Storage	Built-in microSD / SDHC / SDXC slot, up to 128 GB
Alarm	1x I/O (up to 24 VDC 1A or 110 VAC 500 mA)
Audio	1 x 3.5mm jack, audio in (mic in / line in) / out interface
General	
Operating Conditions	-30 °C ~ 60 °C (-22 °F ~ 140 °F), Humidity 95% or less (non-condensing)
Power Supply	24 VAC ± 10%, PoE (802.3at) UL/cUL Listed
Power Consumption	Max. 22W
Protection Level	IEC60068-275Eh, 20J; EN50102, up to IK10, IP66
Dimensions	Φ7.68" x 6.26" (Φ 195mm x 159mm)
Weight	2850g (6.28lbs)

ACCESSORIES

<p>DS-1273ZJ-DM30-B Pendant Long Wall Mount w/ Back Box</p>	<p>DS-1276ZJ Corner Mount</p>	<p>DS-1275ZJ Pole Mount</p>	<p>Conduit Base</p>
--	--	--	----------------------------