

HCO-7010R/7020R/7030R

QHD (4MP) Analog IR Bullet Camera

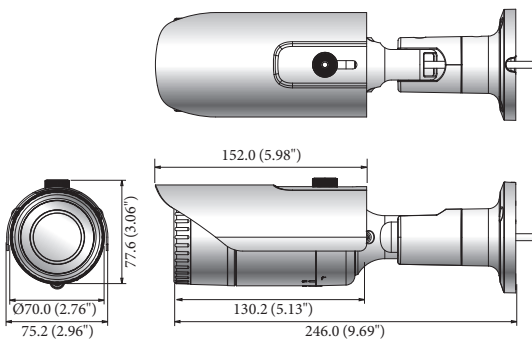


Key Features

- QHD (2560 x 1440, 30fps) resolution
- 0.26 Lux@F1.8 (Color) (HCO-7010R), 0.27 Lux@F2.0 (Color) (HCO-7020R/7030R), 0 Lux (B/W : IR LED on)
- Built-in 2.8mm fixed lens (HCO-7010R)
4.0mm fixed lens (HCO-7020R)
6.0mm fixed lens (HCO-7030R)
- Day & Night (ICR), DWDR, Motion detection
- IR Viewable Length 20m (HCO-7010R), 25m (HCO-7020R), 30m (HCO-7030R)
- Transmission distance max.500m
- Easy installation (Plug & play), IP66, IK10 support

Dimensions

Unit : mm (inch)



Accessories (Optional)



SBO-100B1



SBP-302PM

HCO-7010R/7020R/7030RN/P

| VIDEO | |
|----------------------------------|---|
| Imaging Device | 1/3" 4M CMOS |
| Total Pixels | 2,720(H) x 1,536(V) |
| Effective Pixels | 2,688(H) x 1,520(V) |
| Scanning System | Progressive Scan |
| Min. Illumination | Color : 0.26 Lux (F1.8) (HCO-7010R), 0.27 Lux (F2.0) (HCO-7020R/7030R) B/W : 0 Lux (IR LED on) |
| S / N Ratio | 52dB (AGC off, Weight on) |
| Video Output | BNC (AHD), Additional CVBS for installation (2Pin connector type) |
| Resolution | 2560 x 1440 |
| Max. Framerate | 30fps@4M 25fps@4M |
| LENS TYPE | |
| Focal Length (Zoom Ratio) | 2.8mm fixed (HCO-7010R), 4.0mm fixed (HCO-7020R), 6.0mm fixed (HCO-7030R) |
| Max. Aperture Ratio | F1.8 (HCO-7010R), F2.0 (HCO-7020R/7030R) |
| Angular Field of View | H : 107.48° / V : 59.67° / D : 122.01° (HCO-7010R) H : 78.22° / V : 41.21° / D : 87.91° (HCO-7020R) H : 49.01° / V : 27.61° / D : 55.6° (HCO-7030R) |
| Min. Object Distance | 0.5m (1.64ft) |
| Lens Type | Fixed |
| Mount Type | Board-in Type |
| OPERATIONAL | |
| On Screen Display | Multi-language Support(14) English, Spanish, French, Portuguese, German, Italian, Russian, Polish, Czech, Romanian, Serbian, Swedish, Danish, Turkish |
| Day & Night | Auto (ICR) / Color / B/W |
| Backlight Compensation | Off / User BLC / HLC |
| Wide Dynamic Range | D-WDR (Off / On) |
| Digital Noise Reduction | 2D DNR |
| Motion detection | Off / On (4 zones) |
| Privacy Masking | Off / On (2 zones rectangle) |
| Gain Control | Off / Low / Middle / High / Very High |
| White Balance | ATW / Outdoor / Indoor / Manual / AWC (1,800K° ~ 10,500K°) |
| Electronic Shutter Speed | 1/30sec ~ 1/12,000sec 1/25sec ~ 1/12,000sec |
| Reverse | Off / H-Rev / V-Rev |
| Remote Control Interface | Coaxial |
| Protocol | AHD : ACP (AHD Coax Protocol), CVBS : Pelco-C (Coaxitron) |
| IR Distance | 20m (65.62ft) : HCO-7010R, 25m (82.02ft) : HCO-7020R 30m (98.43ft) : HCO-7030R |
| Video Transmission Distance | 500m (5C2V Coaxial cable) |
| ENVIRONMENTAL | |
| Operating Temperature / Humidity | -30°C ~ +55°C (-22°F ~ +131°F) / Less than 90% RH * Start up should be done at above -10°C (+14°F) |
| Ingress Protection | IP66 |
| Vandal Resistance | IK10 |
| ELECTRICAL | |
| Input Voltage | 12V DC ±10% |
| Power Consumption | Max. 5.0W |
| MECHANICAL | |
| Color / Material | Dark Gray / Aluminum |
| Dimensions (WxH) | Ø70.0 x 246.0 mm (Ø2.76" x 9.69") (Without sunshield) |
| Weight | 670g (1.48 lb) |

* The latest product information / specification can be found at hanwhasecurity.com
* Design and specifications are subject to change without notice.