

THK-NC334XD-2.8

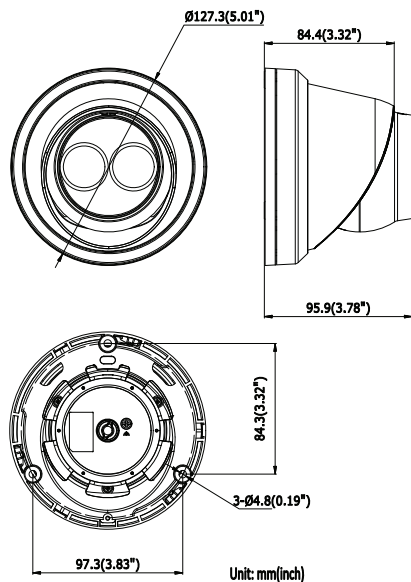
4MP IR Fixed Turret Network Camera



KEY FEATURES

- 1/2.5" Progressive Scan CMOS
- 2688 × 1520 @30fps
- 2.8 mm fixed lens
- H.265, H.265+, H.264+, H.264
- 4 Behavior analyses
- 120dB WDR
- Powered by Darkfighter
- BLC/3D DNR/ROI/HLC
- IR range: up to 30 m
- Built-in microSD/SDHC/SDXC card slot, up to 128 GB
- IP67

DIMENSIONS



| THK-NC334XD-2.8 | | |
|----------------------|---|---|
| Camera | Image sensor | 1/2.5" Progressive Scan CMOS |
| | Signal system | PAL/NTSC |
| | Min. Illumination | Color: 0.008 lux @(F1.2, AGC ON), 0.014 lux @(F1.6, AGC ON), 0 lux with IR |
| | Shutter time | 1/3 s to 1/100,000 s |
| | Signal System | Support |
| | Lens | 2.8 mm, horizontal FOV: 109°, vertical FOV: 60°, diagonal FOV: 131° |
| | Lens mount | M12 |
| | Adjustment range | Pan: 0° to 360°, tilt: 0° to 75°, rotate: 0° to 360 |
| | Day & Night | IR Cut Filter |
| | Wide dynamic range | 120 dB |
| Compression Standard | Digital noise reduction | 3D DNR |
| | Focus | Fixed |
| | Video compression | H.265+/H.265/H.264+/H.264/MJPEG |
| | H.264 code profile | Main Profile / High Profile |
| Image | Video bit rate | 32Kbps~16Mbps |
| | Triple streams | Yes |
| | Max. Image resolution | 2688 × 1520 |
| | Frame rate | 50Hz: 25 fps (2688 × 1520, 2304 × 1296, 1920 × 1080) |
| | | 60Hz: 30 fps (2688 × 1520, 2304 × 1296, 1920 × 1080) |
| | Sub stream | 50Hz: 25 fps (640 × 480, 640 × 360, 320 × 240) |
| | | 60Hz: 30 fps (640 × 480, 640 × 360, 320 × 240) |
| | Third stream | 50Hz: 25 fps (1280 × 720, 640 × 360, 352 × 288) |
| | | 60Hz: 30 fps (1280 × 720, 640 × 360, 352 × 240) |
| | Image enhancement | BLC/3D DNR/ROI/HLC |
| Image settings | Rotate mode, saturation, brightness, contrast, sharpness and white balance adjustable by client software or web browser | |
| ROI: | Support 1 fixed region for main stream and sub stream separately | |
| Day/Night Switch | Day/Night/Auto/Schedule | |
| Network | Network storage | microSD/SDHC/SDXC card (128G), local storage and NAS (NFS,SMB/CIFS), ANR |
| | Alarm trigger | Motion detection, video tampering alarm, network disconnected, IP address conflict, illegal login, HDD full, HDD error |
| | Protocols | TCP/IP, ICMP, HTTP, HTTPS, FTP, DHCP, DNS, DDNS, RTP, RTSP, RTCP, PPPoE, NTP, UPnP, SMTP, SNMP,IGMP, 802.1X, QoS, IPv6, Bonjour |
| | General functions | One-key reset, Anti-Flicker, heartbeat, mirror, password protection, privacy mask, Watermark, IP address filtering |
| | System compatibility | ONVIF (Profile S, Profile G), ISAPI |
| Interface | Communication interface | 1 RJ45 10M / 100M Ethernet interface |
| | On-board storage | Built-in Micro SD/SDHC/SDXC slot, up to 128 GB |
| | Reset button | Yes |



THK-NC334XD-2.8

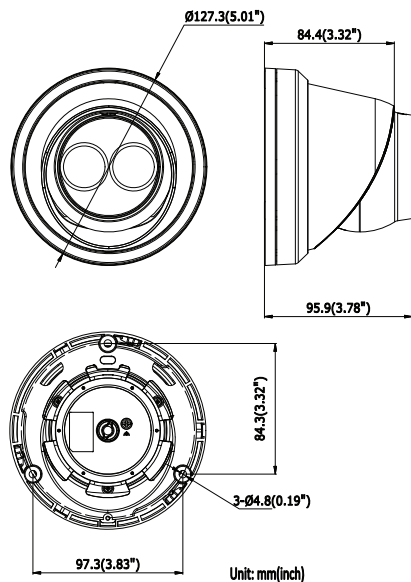
4MP IR Fixed Turret Network Camera



KEY FEATURES

- 1/2.5" Progressive Scan CMOS
- 2688 × 1520 @30fps
- 2.8 mm fixed lens
- H.265, H.265+, H.264+, H.264
- 4 Behavior analyses
- 120dB WDR
- Powered by Darkfighter
- BLC/3D DNR/ROI/HLC
- IR range: up to 30 m
- Built-in microSD/SDHC/SDXC card slot, up to 128 GB
- IP67

DIMENSIONS



| THK-NC334XD-2.8 | | |
|-------------------|-------------------------|--|
| Smart Feature-set | Behavior analysis | Line crossing detection, Intrusion detection, Unattended baggage detection, Object removal detection |
| | Line crossing detection | Enter and loiter in a pre-defined virtual region |
| | Unattended baggage | Objects left over in the pre-defined region such as the baggage, purse, dangerous materials |
| | Object removal | Objects removed from the pre-defined region, such as the exhibits on display |
| | Exception detections | Scene change detection |
| | Recognition | Face detection |
| General | Operating conditions | -30 °C ~ 60 °C (-22 °F ~ 140 °F) Humidity 95% or less (non-condensing) |
| | Power supply | 12 VDC \pm 25%, PoE (802.3af Class3) |
| | Power consumption | 12 VDC, 0.5 A, max. 6 W PoE (802.3af, 36V to 57V), 0.3 A to 0.2 A, max. 7.5 W |
| | Weather proof | IP67 |
| | IR range | Up to 98ft (30m) |
| | Dimensions | Camera: $\text{Ø} 127.3 \times 95.9$ mm ($\text{Ø}5" \times 3.8"$) Package: $150 \times 150 \times 141$ mm ($5.9" \times 5.9" \times 5.6"$) |
| | Weight | Camera: 620 g (1.4 lb.) |

ACCESSORIES (OPTIONAL)



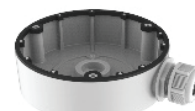
Wall Mount
1273ZJ-130-TRL



Vertical Pole Mount
1275ZJ



Corner Mount
1276ZJ



Junction Box
DS-1280ZJ-M

