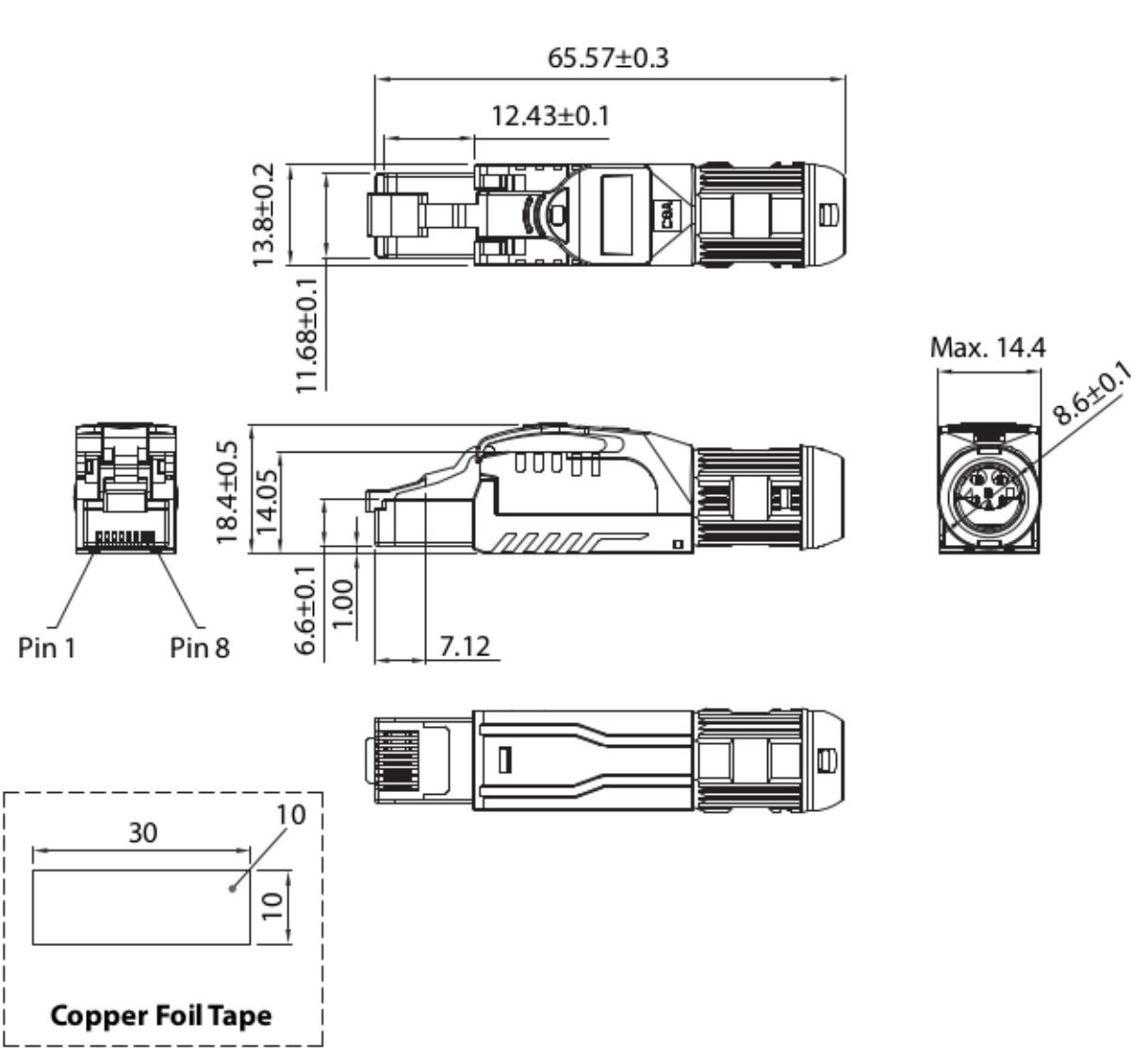


- Material:**
- 1. Extractor: PC, UL 94V-2
 - 2. Housing: Zinc die-cast with nickel plating
 - 3. RJ45 Plug:
 - 3-1. Housing: PC, UL 94V-2, black color
 - 3-2. Contact Material: Phosphor Bronze with 100 micro-inch nickel plating
 - 3-3. Contact Finish: 50 micro-inch gold plated on surface contact area
 - 4. Cover: Zinc die-cast with nickel plating
 - 5. Wire Management Bar: PC, white color, UL 94V-2
 - 6. IDC:
 - 6-1. Housing: PC, white color, UL 94V-2
 - 6-2. Terminal: Titanium copper with tin plating
 - 7. Grounding Contact: Zinc die-cast with nickel plating
 - 8. Boot:
 - 8-1. Housing: Zinc die-cast with nickel plating
 - 8-2. SR: PC, UL 94V-2, black color
 - 8-3. Cap: PC, UL 94V-2, black color
 - 9. PCB, UL 94V-V0
 - 10. Copper foil tape



RoHS

- Performance:**
- 1. T568A and T568B wiring
 - 2. Insertion Force: 30N maximum (IEC 60603-7)
 - 3. Retention Strength: 7.7kg between jack and plug
 - 4. Operating Temperature: 14°F - 140°F (-10°C to 60°C) (ISO/IEC 11801, ANSI/TIA 568 C.2)
 - 5. Life (Mating Cycles):
 - 5-1. 750 cycles minimum (ISO/IEC 11801, IEC 60603-7)
 - 5-2. IDC: Suitable for 23-26AWG stranded and solid wire, minimum 20 installation cycles

Part #	Color
KYCB-CAT6A-1-BK	Black
KYCB-CAT6A-1-BL	Blue
KYCB-CAT6A-1-GN	Green
KYCB-CAT6A-1-OR	Orange
KYCB-CAT6A-1-RD	Red
KYCB-CAT6A-1-WH	White
KYCB-CAT6A-1-YL	Yellow

Part #	Title	Unit
KYCB-CAT6A-1-XX (XX = Color)	Cat6a Tool-Free Modular Plug for Solid / Stranded Wire Cable, 23-26AWG, 6.0-7.5mm OD	mm

