

NVR301-04CW-P4



Key Features

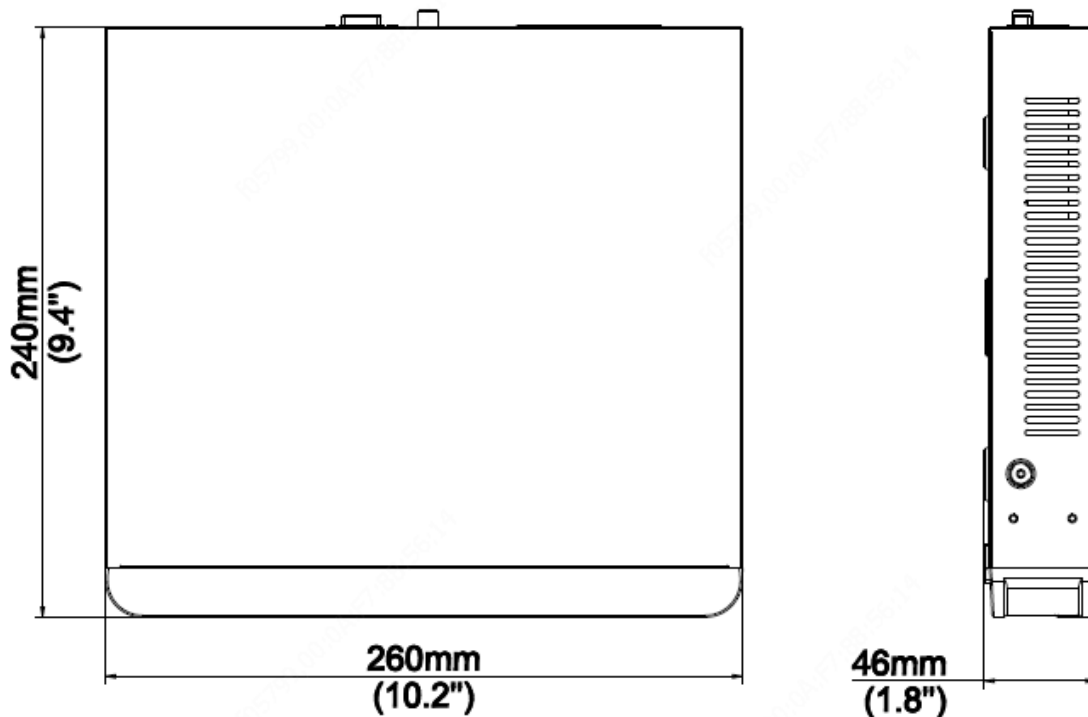
- Support Ultra 265/H.265/H.264 video formats
- 1-channel input
- Support 1-ch HDMI, 1-ch VGA
- HDMI and VGA simultaneous output
- Up to 5MP resolution recording
- 1 SATA HDD up to 10 TB
- Support cloud upgrade

Specifications

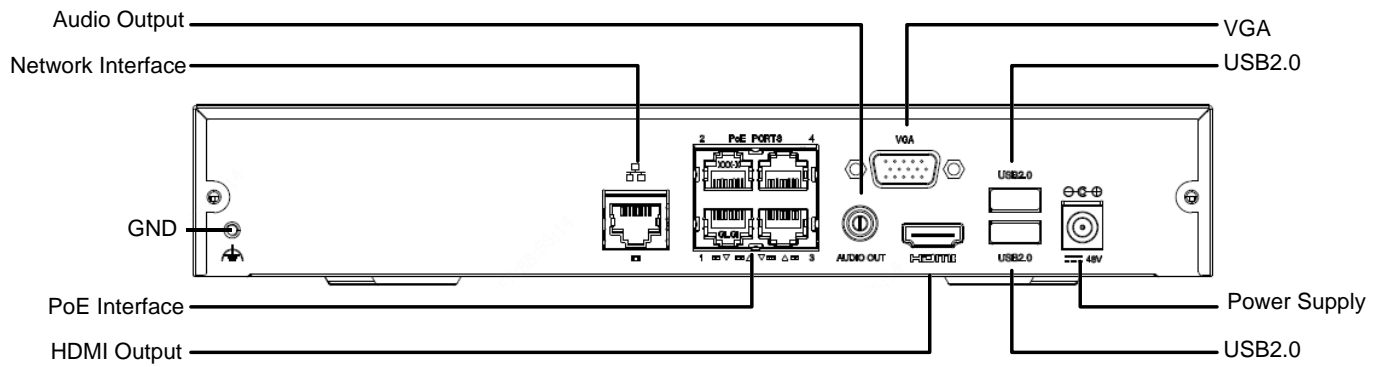
Model	NVR301-04CW-P4
Video/Audio Input	
IP Video Input	1-ch
Network	
Incoming Bandwidth	40Mbps
Outgoing Bandwidth	40Mbps
Remote Users	128
Protocols	P2P, UPnP, NTP, DHCP, PPPoE
Video/Audio Output	
HDMI/VGA Output	HDMI/VGA: 1920x1080p/60Hz
Recording Resolution	5MP/4MP/3MP/1080p/960p/720p/D1/2CIF/CIF
Synchronous Playback	1-ch
Decoding	
Decoding format	Ultra 265/H.265/H.264
Liveview/Playback	5MP/4MP/3MP/1080p/960p/720p/D1/2CIF/CIF
Capability	1 x 5MP@30, 2 x 4MP@25, 2 x 3MP@30, 4 x 1080p@25, 8 x 960p@25, 8 x 720p@30
Hard Disk	
SATA	1 SATA interface

Capacity	up to 10TB for each disk
External Interface	
Network Interface	1 RJ45 10M/100M self-adaptive Ethernet Interface
USB Interface	Rear panel: 2 x USB2.0
Supported Standard	IEEE 802.3at, IEEE 802.3af
External Interface	
Interface	4 independent 100 Mbps PoE network interfaces
Max Power	Max 30W for single port Max 54W in total (13.5W for each)
Supported Standard	IEEE 802.3at, IEEE 802.3af
General	
Power Supply	48V DC Power Consumption: ≤10 W (without HDD)
Working Environment	-10°C ~ +55°C (+14°F ~ +131°F), Humidity ≤ 90% RH (non-condensing)
Dimensions (W×D×H)	260mm × 240mm × 46mm (10.2"×9.4"×1.8")
Weight (without HDD)	1.1kg (2.43 lb)

Dimensions



Rear Panel



Zhejiang Uniview Technologies Co., Ltd.

Building No.10, Wanlun Science Park, Jiangling Road 88, Binjiang District, Hangzhou, Zhejiang, China

Email: overseasbusiness@uniview.com; globalsupport@uniview.com

<http://www.uniview.com>

©2020 Zhejiang Uniview Technologies Co., Ltd. All rights reserved.

* Product specifications and availability are subject to change without notice.