



USW-Flex-Utility Quick Start Guide

Package Contents



Enclosure



Wall/Pole Mount



60W PoE Adapter



Mounting Screws (Qty. 4)



Screw Anchors (Qty. 4)



Torx Security Screw (Qty. 1)



Philips Security Screw (Qty. 1)



RJ45 Cable



Metal Strap

Installation Requirements

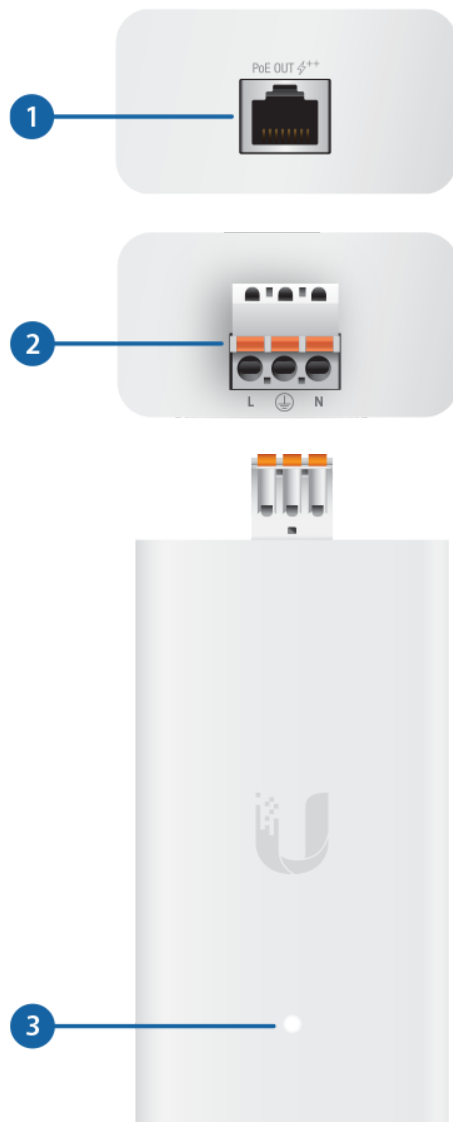
- Flathead screwdriver
- Phillips screwdriver
- Pliers
- Shielded Category 5 (or above) cabling should be used for all wired Ethernet connections.

We recommend that you protect your networks from harmful outdoor environments and destructive ESD events with industrial-grade, shielded Ethernet cable from Ubiquiti. For more information, visit ui.com/toughcable



USW-Flex-Utility Quick Start Guide

PoE Adapter



1 PoE OUT

Connect the provided RJ45 cable to this port and port 1 on the USW-Flex to provide power to the USW-Flex.

2 Terminal Block

Used to connect AC power source to the PoE Adapter. L should connect to positive, ground connects to the middle, and N should be the neutral connection.

3 LED

Lights white when properly connected to a power source.

Hardware Installation



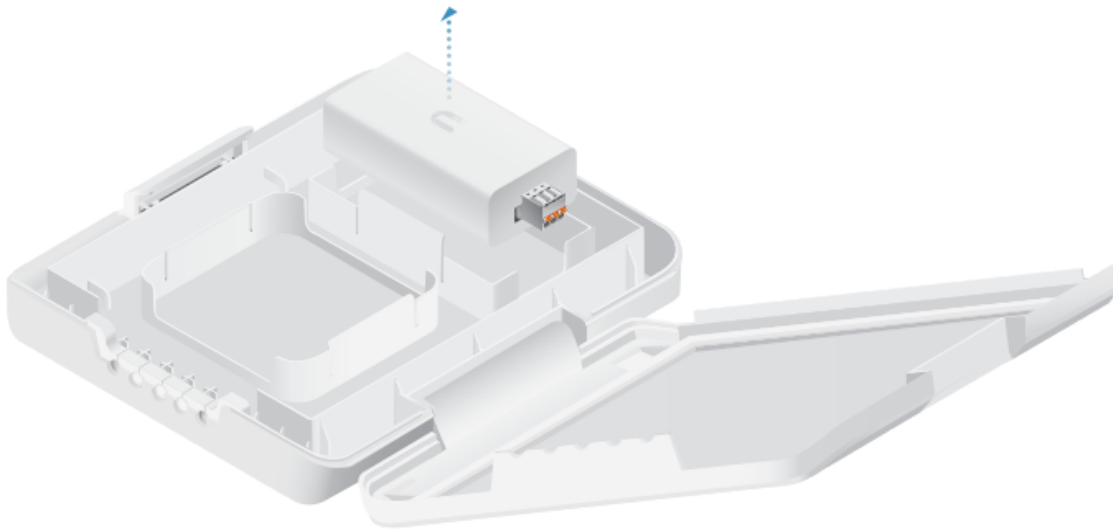
USW-Flex-Utility Quick Start Guide

Connecting the Switch

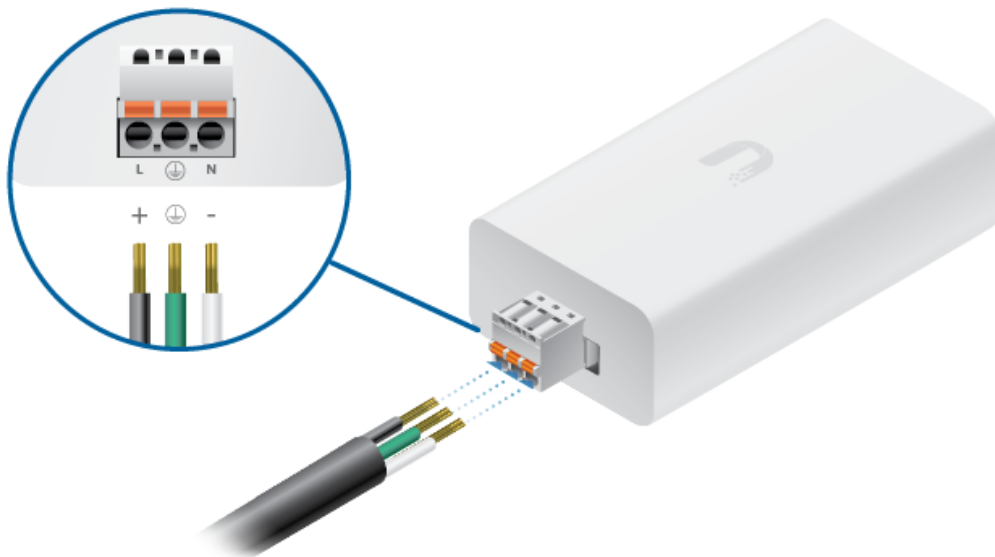
1.



2.



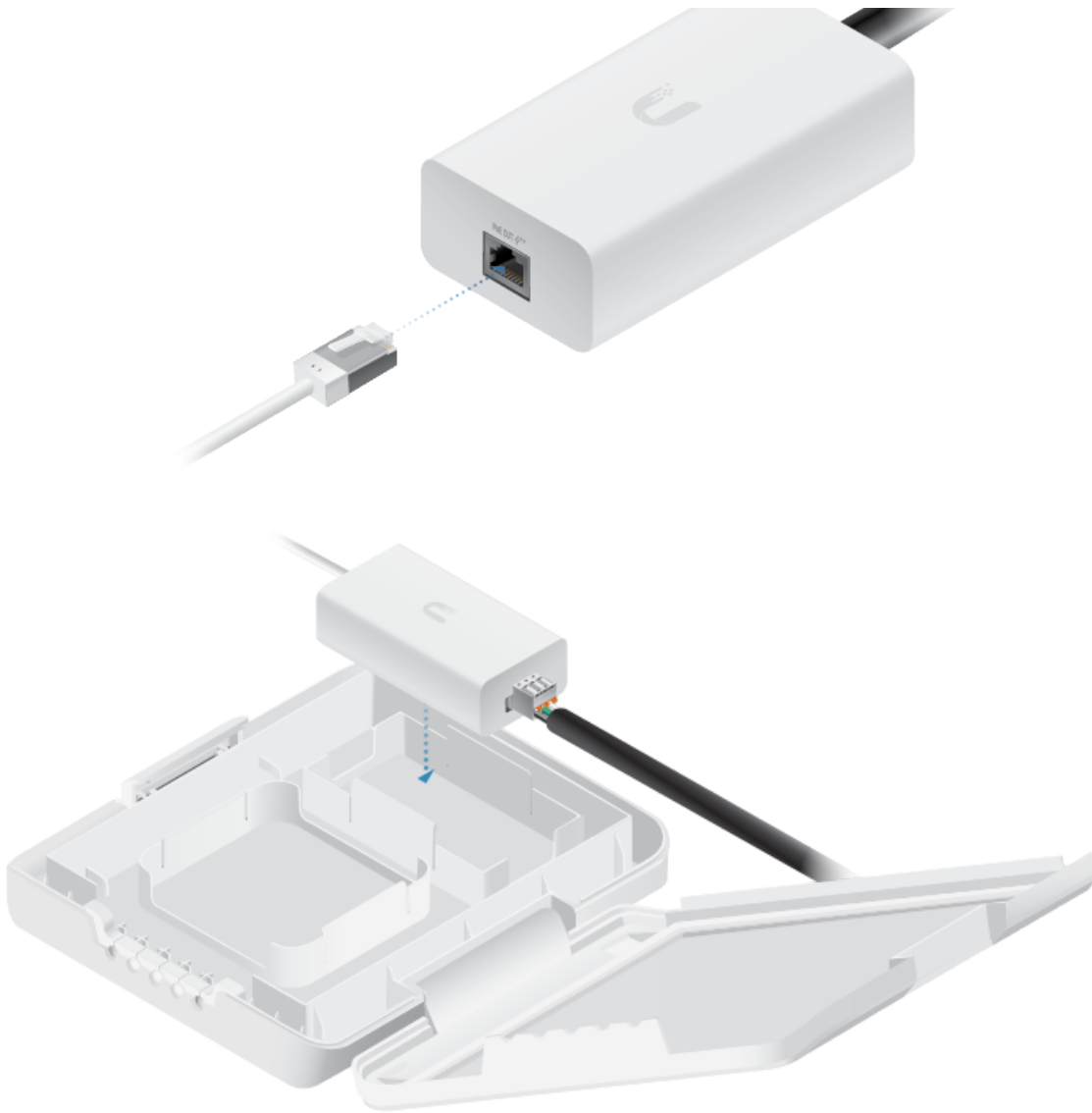
3.





USW-Flex-Utility Quick Start Guide

5.

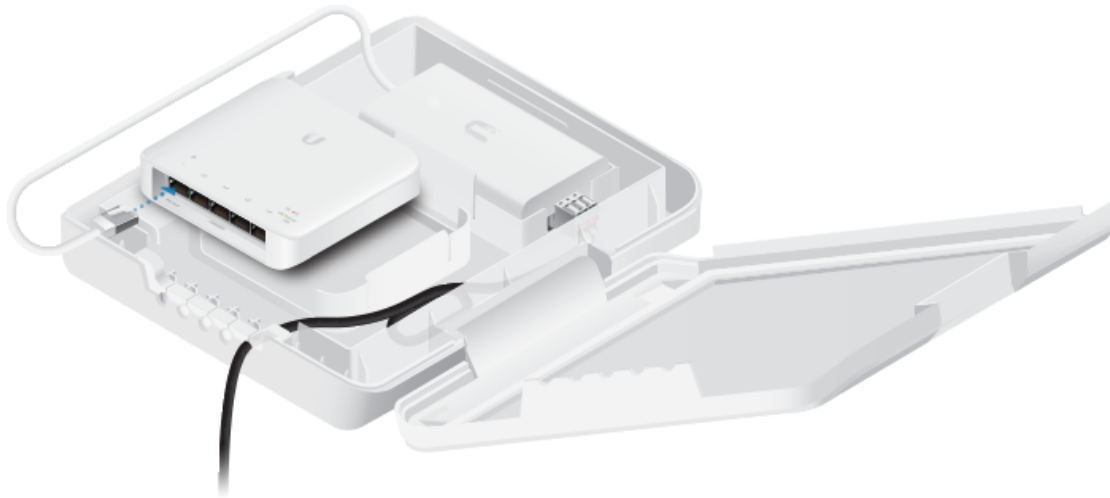




USW-Flex-Utility Quick Start Guide



7.

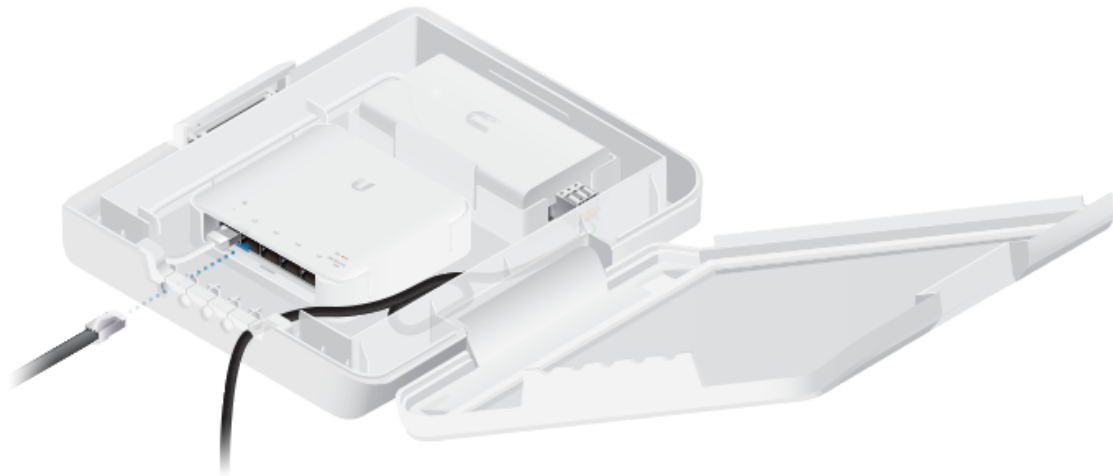




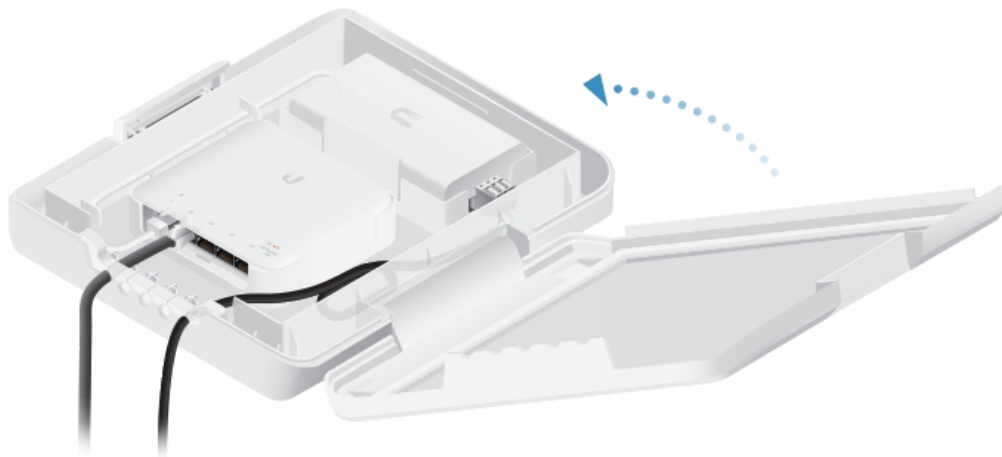
USW-Flex-Utility Quick Start Guide



9.



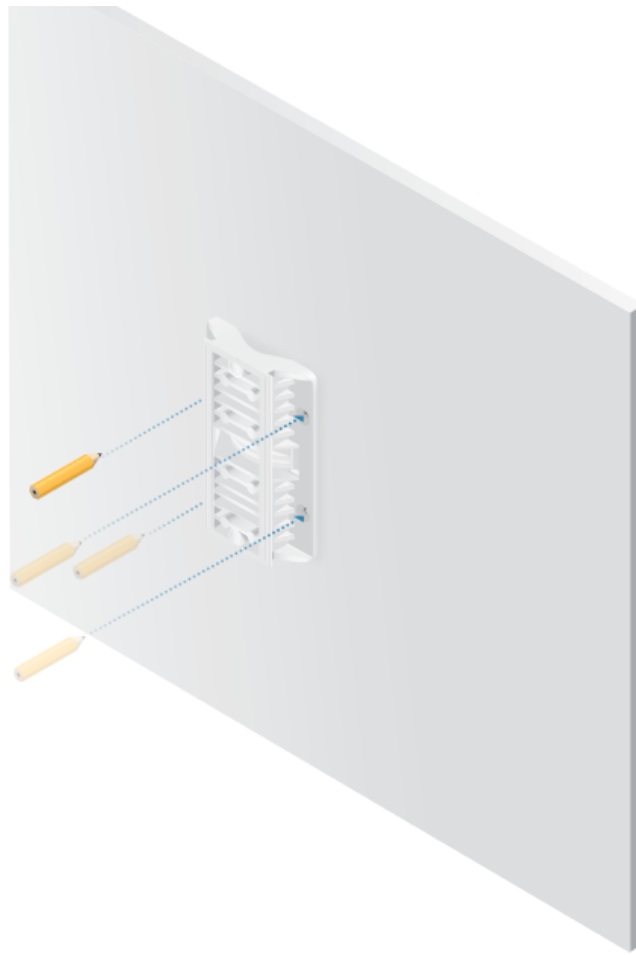
10.



Wall Mounting

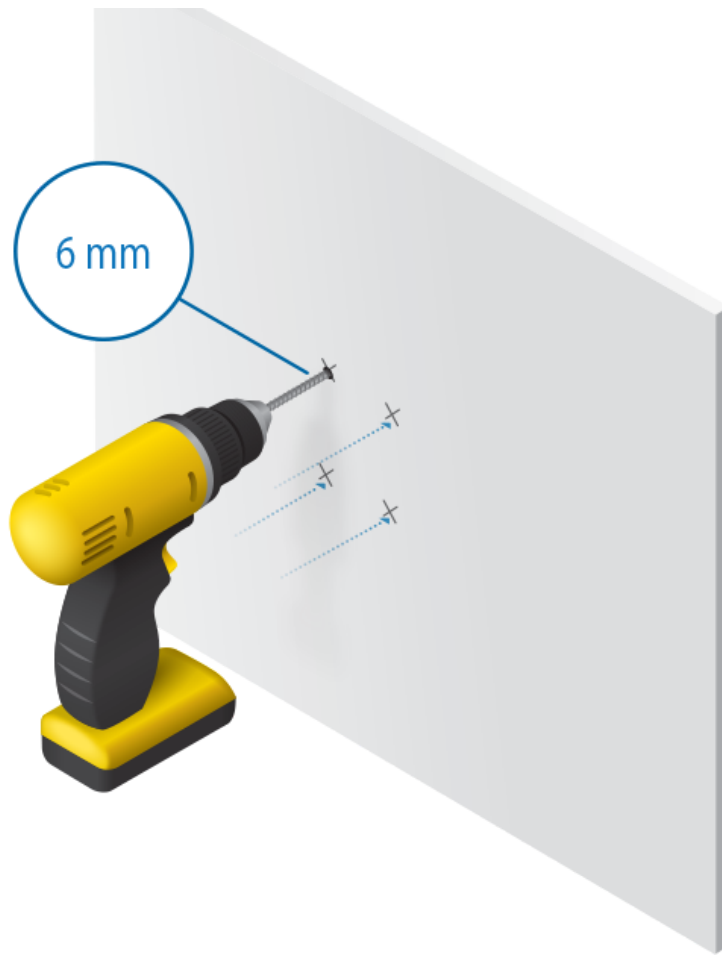


USW-Flex-Utility Quick Start Guide



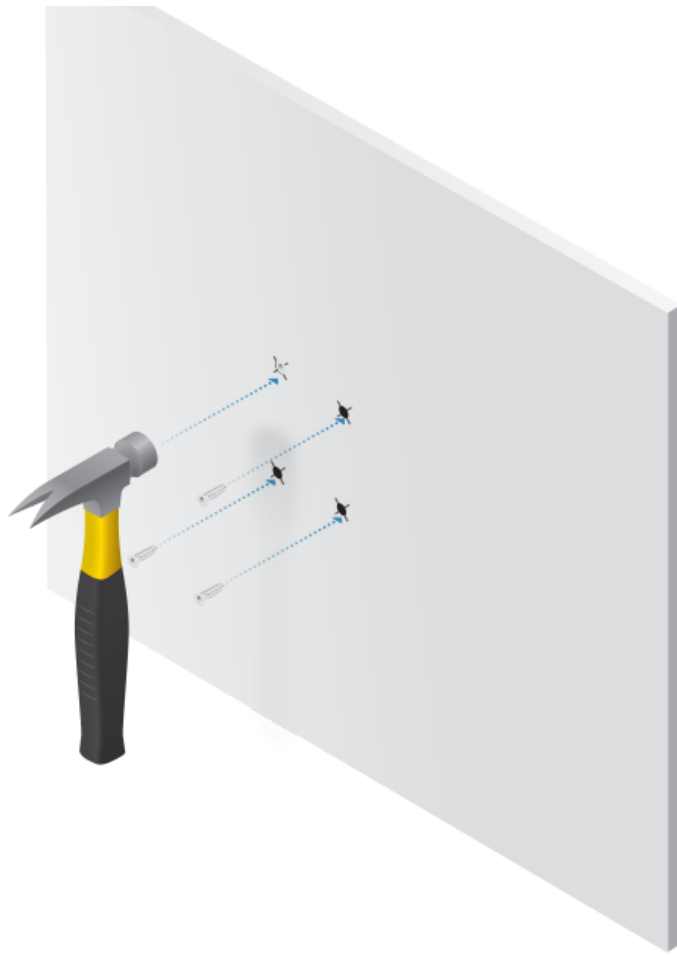


USW-Flex-Utility Quick Start Guide



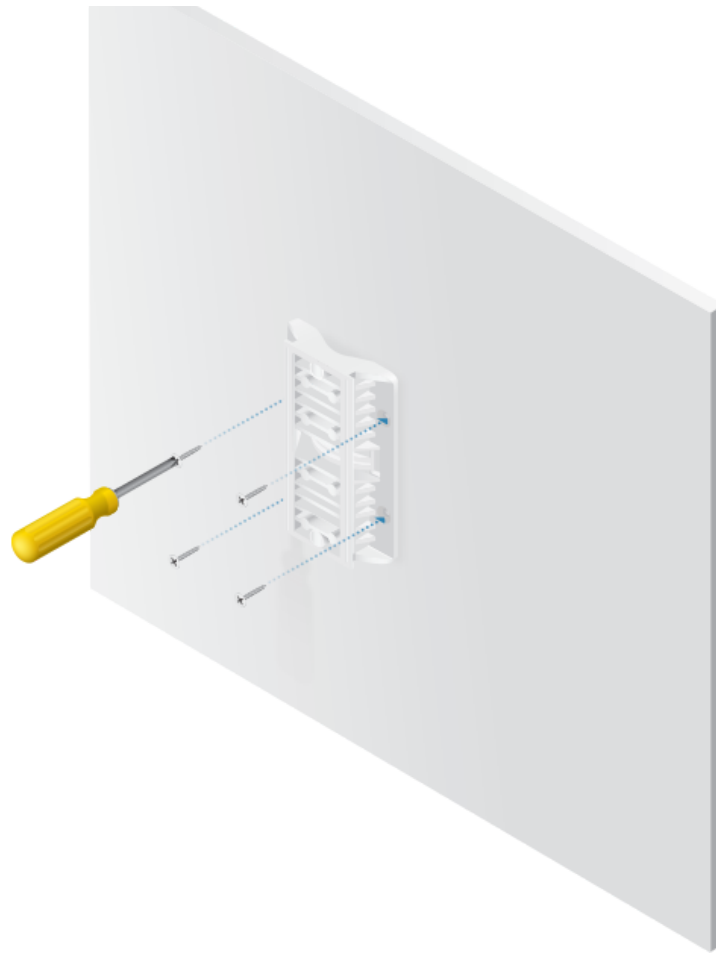


USW-Flex-Utility Quick Start Guide



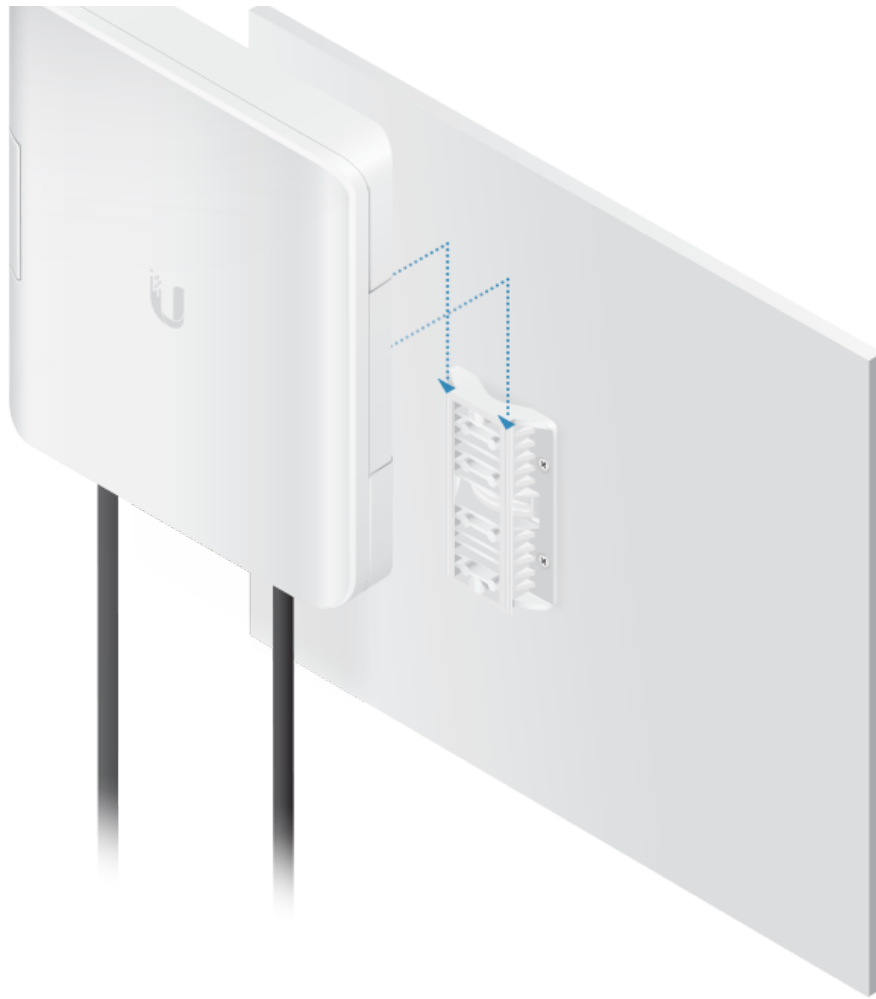


USW-Flex-Utility Quick Start Guide





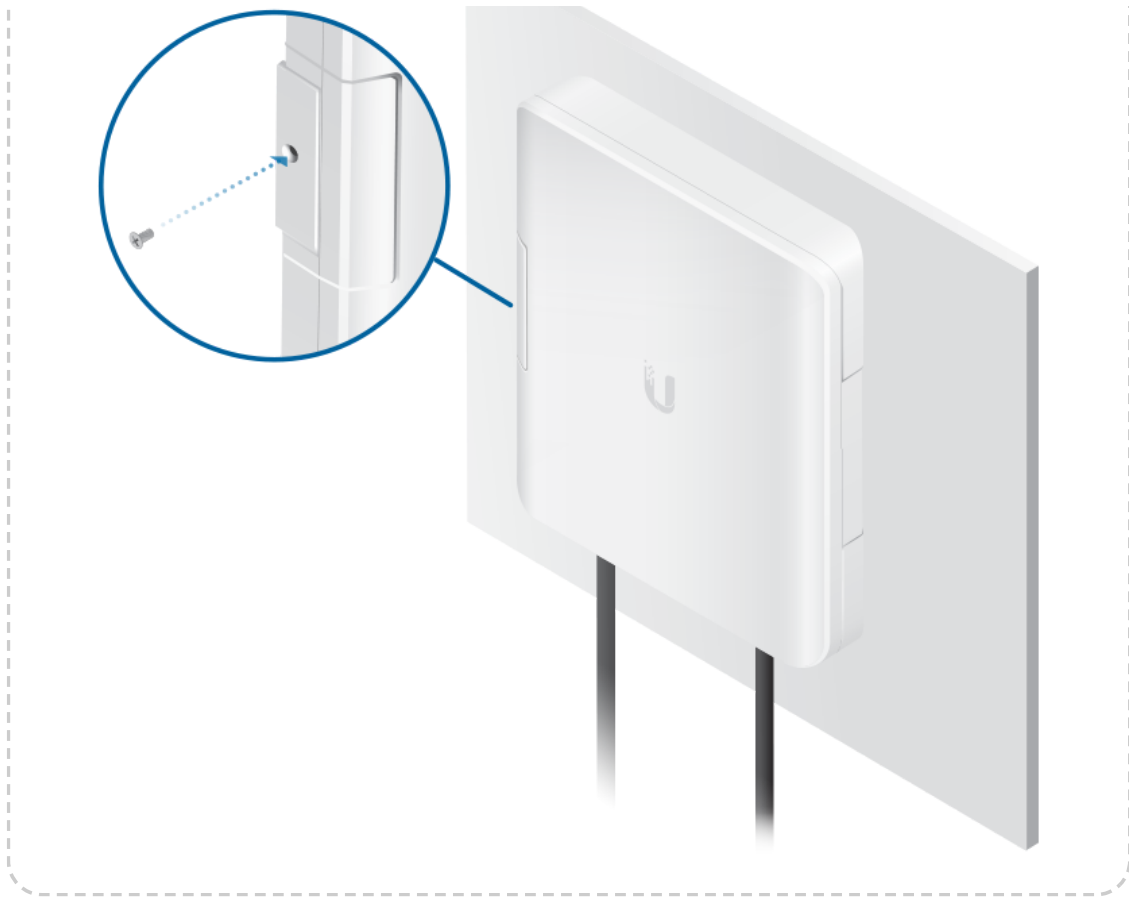
USW-Flex-Utility Quick Start Guide



Optional:
Secure the enclosure using the included Torx or Phillips Security Screw.

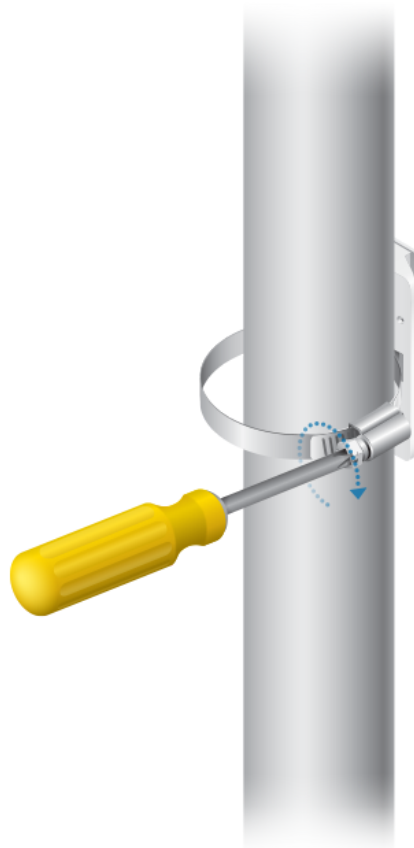


USW-Flex-Utility Quick Start Guide



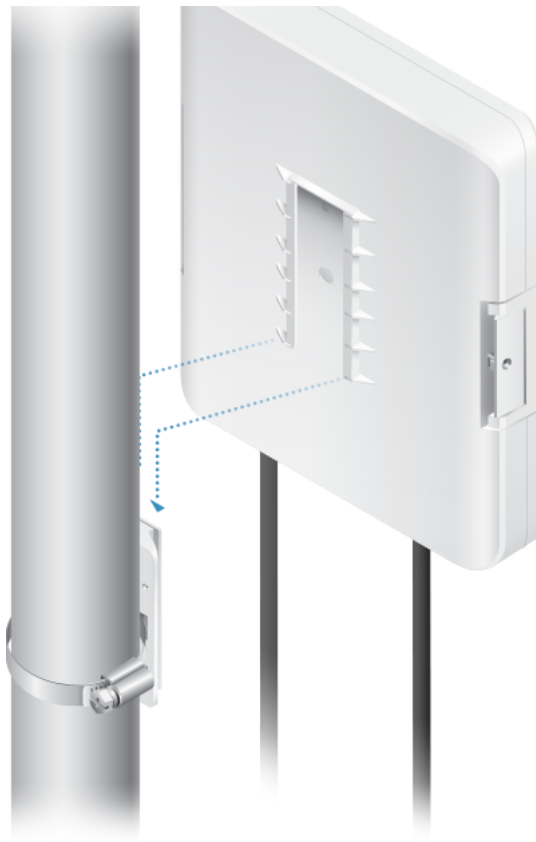
Pole Mounting

1.





USW-Flex-Utility Quick Start Guide



Optional:
Secure the enclosure using the included Torx or Phillips Security Screw.

A 3D illustration showing the enclosure being secured to the pipe. A yellow-handled screwdriver is shown driving a screw into a hole on the enclosure's side. A circular inset provides a magnified view of the screw being inserted into the hole. The enclosure is already attached to the pipe via a metal bracket.



USW-Flex-Utility Quick Start Guide

USW-Flex-Utility	
Dimensions (with Mount)	249 x 218 x 60 mm (9.80 x 8.58 x 2.36")
Weight (with Mount)	740 g (26.10 oz)
USW-Flex-Utility 60W PoE Adapter	
Dimensions	118.5 x 63 x 34.7 mm (4.66 x 2.48 x 1.36")
Weight	206 g (7.27 oz)
Output Voltage	54V, 1.11A
Rated Voltage	100-240VAC
Input Current	1.5A (Max.)
Efficiency	> 86%
Output Ripple	200mVpp
Line Regulation	< 1%
Load Regulation	< 3%
4-Pair Powering	Pins 1, 2, 4, 5+ and Pins 3, 6, 7, 8-
Operating Temperature	-20 to 60° C (-4 to 140° F)
Storage Temperature	-30 to 70° C (-22 to 158° F)
Operating Humidity	5 to 90%, Noncondensing
Surge Immunity	4kV Difference and Common Mode

Safety Notices

1. Read, follow, and keep these instructions.
2. Heed all warnings.
3. Only use attachments/accessories specified by the manufacturer.



WARNING: Failure to provide proper ventilation may cause fire hazard. Keep at least 20 mm of clearance next to the ventilation holes for adequate airflow.



WARNING: To reduce the risk of fire or electric shock, do not expose this product to rain or moisture.



WARNING: Do not use this product in location that can be submerged by water.



WARNING: Avoid using this product during an electrical storm. There may be a remote risk of electric shock from lightning.



USW-Flex-Utility Quick Start Guide

1. Compliance is required with respect to voltage, frequency, and current requirements indicated on the manufacturer's label. Connection to a different power source than those specified may result in improper operation, damage to the equipment or pose a fire hazard if the limitations are not followed.
2. There are no operator serviceable parts inside this equipment. Service should be provided only by a qualified service technician.

Limited Warranty

ui.com/support/warranty

The limited warranty requires the use of arbitration to resolve disputes on an individual basis, and, where applicable, specify arbitration instead of jury trials or class actions.

Compliance

FCC

Changes or modifications not expressly approved by the party responsible for compliance could void the user's authority to operate the equipment.

This device complies with Part 15 of the FCC Rules. Operation is subject to the following two conditions.

1. This device may not cause harmful interference, and
2. This device must accept any interference received, including interference that may cause undesired operation.

This equipment has been tested and found to comply with the limits for a Class B digital device, pursuant to Part 15 of the FCC Rules. These limits are designed to provide reasonable protection against harmful interference in a residential installation. This equipment generates, uses, and can radiate radio frequency energy and, if not installed and used in accordance with the instructions, may cause harmful interference to radio communications. However, there is no guarantee that interference will not occur in a particular installation. If this equipment does cause harmful interference to radio or television reception, which can be determined by turning the equipment off and on, the user is encouraged to try to correct the interference by one or more of the following measures:

- Reorient or relocate the receiving antenna.
- Increase the separation between the equipment and receiver.
- Connect the equipment into an outlet on a circuit different from that to which the receiver is connected.
- Consult the dealer or an experienced radio/TV technician for help.

ISED Canada

CAN ICES-3(B)/NMB-3(B)

Australia and New Zealand



CE Marking



USW-Flex-Utility Quick Start Guide



[WEEE Compliance Statement](#)

[Declaration of Conformity](#)

Online Resources



© 2023 Ubiquiti Inc. All rights reserved.