

# TI-NC02-MNP

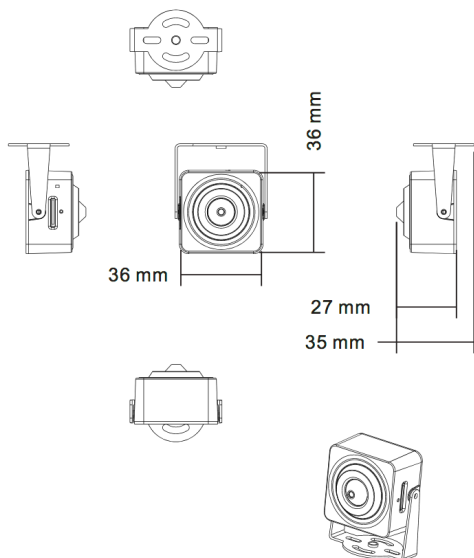
## 2MP Mini Network Camera (Starvis)



### KEY FEATURES

- 2MP Mini Network Camera (Starvis)
- 1/2.8" SONY Starvis CMOS
- 1080P @ 30fps
- 128GB SD Card
- 12V DC (No PoE)

### DIMENSION



TI-NC02-MNP		
Camera	Image Sensor	1/2.8" SONY Starvis Back-illuminated CMOS Sensor
	Resolution	2mp 1080p
	Effective Pixels	1945(H) x 1097(V)
	Compression	H.264 / H.265 / JPEG / AVI / MJPEG
	TV System	PAL / NTSC
	Electronic Shutter Time	Auto: PAL 1/25-1/10,000s; NTSC: 1/25-1/10,000s
	S/N Ratio	≥52dB
	Scanning System	Progressive
	Video Output	Network
Lens	Focus Length	Board Lens 3.7mm / F2.8
	Focus Control	Fixed
	Lens Type	Fixed
	Pixels	3MP
Network	Ethernet	RJ-45 (10/100Base-T)
	Protocol	TCP/IP, ICMP, HTTP, HTTPS, FTP, DHCP, DNS, DDNS, RTP, RTSP, RTCP, NTP, SMTP
	ONVIF	Support ONVIF 2.4
	P2P	Yes, support QR Code
	PoE	Optional, Support IEEE 802.3af
	Video Delay	0.35 (within the Lan)
	Main Stream 1	1920x1080@30fps
	Sub Stream 1	720x480@30fps
	Tri Stream	352x288@30fps
	IE Browser	IE8-11, Google Chrome, Firefox, Safari, Mac Safari
	Smart Phone	Iphone, Ipad, Android, Android Pad
	Camera Features	Day / Night
Image Configuration		Saturation / Brightness / Contrast / Sharpness / Mirror / 3D DNR / White Balance / FLK (Flicker control)
Corridor Pattern		Support
Defog Mode		Support
BLC		Support
WDR		Support
Motion detection		Support
Privacy masking		3 Rectangular Zone
Recording Mode		NVR / NAS / CMS / WEB
Language		Chinese simplified, Chinese traditional, English, Bulgarian, Polish, Farsi, German, Russian, French, Korean, Portuguese, Japanese, Turkish, Spanish, Hebrew, Italian, Netherland
Interface		Audio
	Alarm	Optional
	SD Card Slot	Yes, support Max. 64GB
General	Housing	Metal
	Anti-cut Bracket	No
	Operation Temperature	-20°C-60°C RH95% Max
	Storage Temperature	-20°C-60°C RH95% Max
	Power Source	DC12V±10%, 550mA
	Dimension	36(W) x 36(H) x 27(D)mm
Weight	300g	