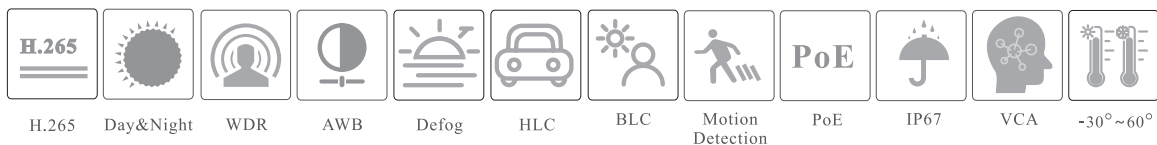


8MP HD AI Turret Network Camera



MODEL_ **TI-NCT08XDZ-AN**



KEY FEATURES

- H.265+/H.265/H.264+/H.264/MJPEG coding
- Max.resolution: 8MP (3840 × 2160)
- ICR auto switch, true day / night vision
- 30 ~ 50m IR night view distance
- Motorized zoom lens
- 3D DNR, true WDR, HLC, BLC and ROI coding
- Support NIR and image distortion correction
- 1CH audio input and 1CH built-in MIC
- Built-in micro SD card slot, up to 256GB
- DC12V/PoE power supply
- IP67 protection grade
- Support three streams
- P2P function optional
- Support mobile surveillance by smart phones with iOS and Android OS
- Intelligent analytics



CMS (Remote Viewing Apps) --- NVMS (PC / MAC)

Mobile App --- Super Live Plus (ANDROID / IOS)

TI-NCT08XDZ-AN

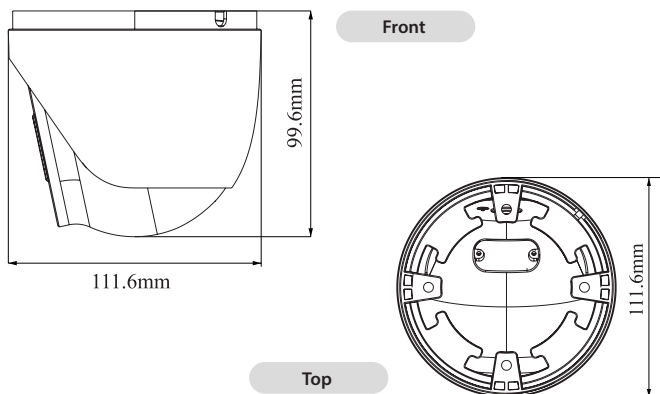
8MP AI HD Turret Network Camera

SPECIFICATIONS

Specifications	Model	TI-NCT08XDZ-AN
Camera		
Image Sensor		1 / 2.8" CMOS
Image Size		3840 × 2160
Electronic Shutter		1s ~ 1 / 100000 s
Iris Type		DC Iris
Min. Illumination		0.01 lux @F1.2, AGC ON; 0 lux with IR 0.015 lux @ F1.4, AGC ON; 0 lux with IR
Lens		2.8 mm~12mm@F1.4, motorized lens;
Field of View		Horizontal : 96°~32°; Vertical : 64°~18.4°; Diagonal : 103.8°~36.5°
Lens Mount		Ø14
Day & Night		ICR
Wide Dynamic Range		120dB
BLC		Yes
HLC		Yes
Defog		Yes
Digital NR		3D DNR
Angle Adjustment		Pan: 0°~360°; Tilt: 0°~80°; Rotation: 0°~360°
Image		
Video Compression		Main stream: H.265+ / H.265 / H.264+ / H.264 Sub stream: H.265+ / H.265 / H.264+ / H.264 / MJPEG Third stream: H.265+ / H.265 / H.264+ / H.264 / MJPEG
H.264 Compression Standard		Baseline Profile/Main Profile/High Profile
Resolution		8MP (3840 × 2160), 6MP(3072 × 2048),5MP(2592 × 1944), 4MP(2592 × 1520), 2K (2560 × 1440), 3MP (2304 × 1296), 1080P (1920 × 1080), 720P (1280 × 720), D1, CIF, 480 × 240
Main Stream		60Hz: 8MP/6MP/5MP/4MP/2K/3MP/1080P/720P(1~30fps) 50Hz: 8MP/6MP/5MP/4MP/2K/3MP/1080P/720P(1~25fps) HFR Mode: 60Hz:1080P/720P(1~60fps); 50Hz:1080P/720P(1~50fps)
Sub Stream		60Hz: 1080P/ 720P/D1/480 × 240 (1~30fps); 50Hz: 1080P/ 720P/D1/480 × 240 (1~25fps)
Third Stream		60Hz: 720P/D1/CIF/480 × 240 (1~30fps); 50Hz: 720P/D1/CIF/480 × 240(1~25fps)
Bit Rate		64 Kbps ~ 12 Mbps
Bit Rate Type		VBR / CBR
Audio Compression		G711A / U
Image Settings		ROI, Saturation, Brightness, Hue, Contrast, Wide Dynamic, Sharpness, NR, etc. adjustable through client software or web browser
ROI		Each ROI to be configured separately

Interfaces	
Network	RJ45
Video Output	No
Audio	1CH audio input; 1 CH built-in MIC
Storage	Built-in micro SD card slot; up to 256GB
Reset	Yes
Intelligent Analytics (Smart Events)	
Perimeter Protection	Line crossing, intrusion (human/motor vehicle/ non-motor vehicle classification)
Target Counting	Line crossing human/motor vehicle/non-motor vehicle counting
Exception Detection	Scene change, video blur and video color cast detection
Face Detection	Face detection and face capture
Functions	
Remote Monitoring	Web browsing, CMS remote control
Online Connection	Support simultaneous monitoring for up to 10 users; Support multi-stream real time transmission
Network Protocol	UDP, IPv4, IPv6, DHCP, NTP, RTSP, RTP, RTCP, ICMP, IGMP, PPPoE, DDNS, SMTP, FTP, SNMP,HTTP, 802.1x, UPnP, HTTPs, QoS
Interface Protocol	ONVIF
Storage	Network remote storage; micro SD card storage
Smart Alarm	Motion detection, SD card error, SD card full
General Function	Watermark, IP address filtering, video mask, heartbeat, illegal login lock, image distortion correction, NIR, etc.
PoE	Yes
IR Distance	30 ~ 50 m
Ingress Protection	IP67
Others	
Power Supply	DC12V/PoE
Power Consumption	< 8W
Operating Environment	- 30 °C ~ 60 °C (-22°F~140°F) Humidity: less than 95 % (non-condensing)
Dimensions (mm)	Ø 111.6 × 99.6
Weight (net)	Approx.0.67KG
Installation	Ceiling mounting; Wall mounting
Certificate	CE, FCC
Environmental Protection	Complies with Directive EU RoHS, WEEE(2012/19/EU) , directive 94/62/EC and REACH(EC1907/2006)

DIMENSIONS



ACCESSORIES (Optional)

