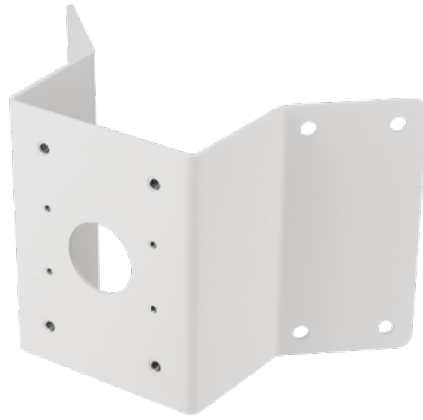


SBP-156KMW

Corner Mount



Key Features

- Compatible with XNP-9300RW/8300RW/6400RW when used with SBP-156WMW
- Material : Aluminum
- Color : White
- Dimensions : 276.8(W)x183.0(H)x158.5(D)mm (10.90x7.20x6.24")

Accessories (Optional)



XNP-9300RW



XNP-8300RW



XNP-6400RW

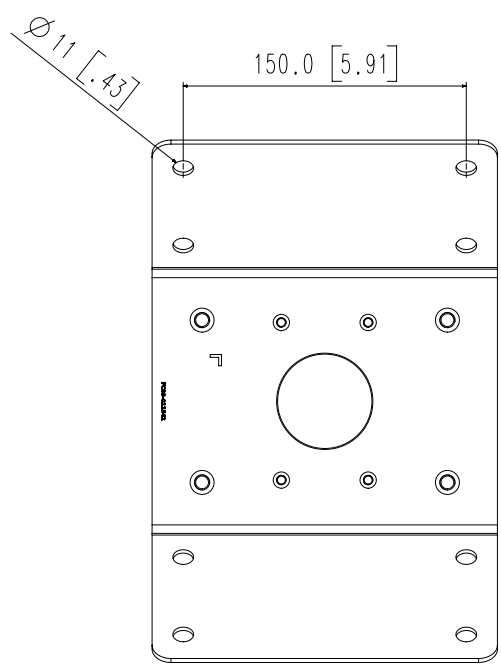
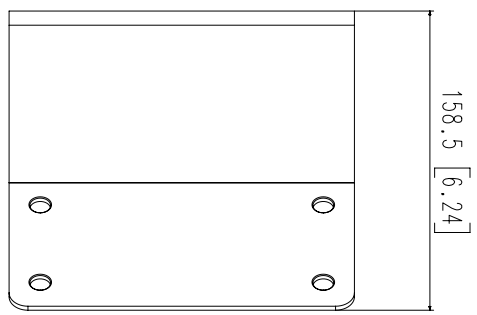
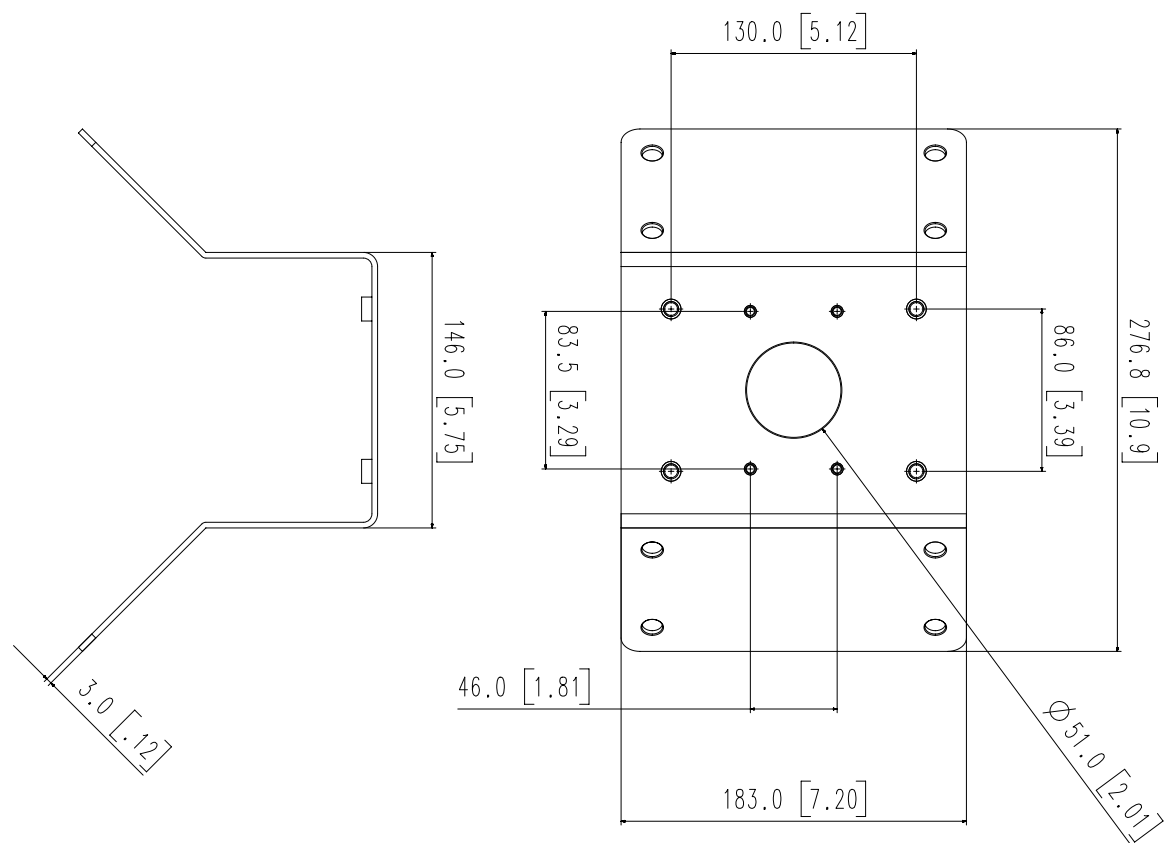


SBP-156WMW

Mechanical

Color	White
Material	Aluminum
RAL code	RAL9003
Product dimensions / weight	276.8(W)x183.0(H)x158.5(D)mm (10.90x7.20x6.24"), 763g(1.68lb)
Supported products	XNP-9300RW/XNP-8300RW/XNP-6400RW ※ For further compatible models, please visit our website or use Toolbox

- The latest product information / specification can be found at hanwhasecurity.com
- Design and specifications are subject to change without notice.
- Wisenet is the proprietary brand of Hanwha Techwin, formerly known as Samsung Techwin.



Unit: mm [inch]	SCALE: 1/1	© Hanwha Techwin
No.	MODEL NAME	DATE
1	SPP-156KMW	20.06.18