

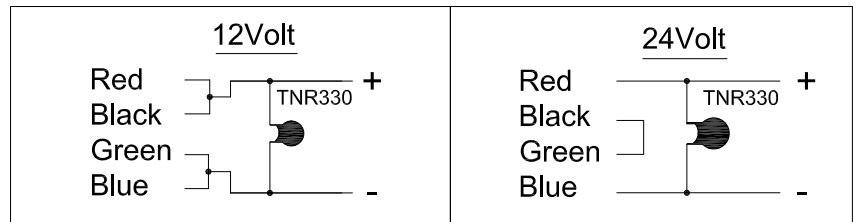


Features

- Lock Size: 124.6Lx32.3H (mm) - 4.90Lx1.27H (in.)
- Holding Strength: 350kg (770 pounds).
- Power Consumption: 12VDC - 280mA
24VDC - 140mA
- Function: Fail Safe (with power it's lock)
Fail Secure (with power is unlock)

Wiring Instructions

1. Voltage



2. Sensor

Lock Sensor:		Door Sensor:	
Purple	Com	Orange	Com
Brown	NC	White	NC
Yellow	NO	Grey	NO

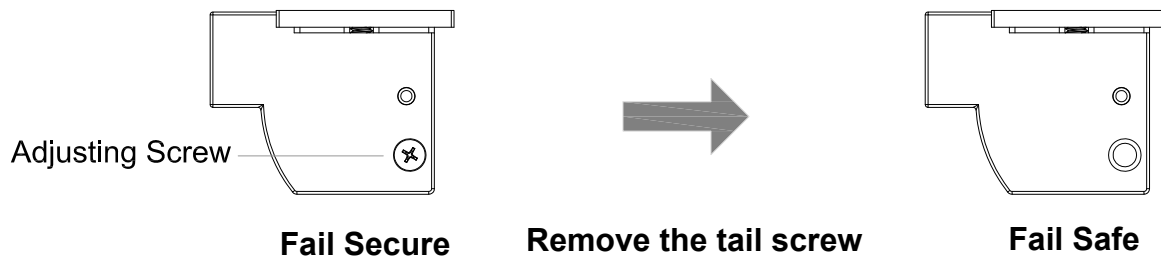
Sensor contact rating: 1A Max, 30V AC/DC

**MOV provided with the package, to be used for surge protection between + and - power terminals.

The strike can be used in either fail safe or fail secure mode. Ensure that the screw is positioned in either hole as per illustration, and either function can be achieved.

Changing from Fail-Secure to Fail-Safe Mode:

Default setting is for fail-secure mode.



General Installation Instructions:

1. Check with a suitable meter if the regulated power supply or controller being used to operate the strike can provide the required voltage within a +/- 10% tolerance, and that the voltage can be stable during operation under all circumstances.

Warning: Damages caused by connection of an incorrect voltage are not covered by the product warranty.

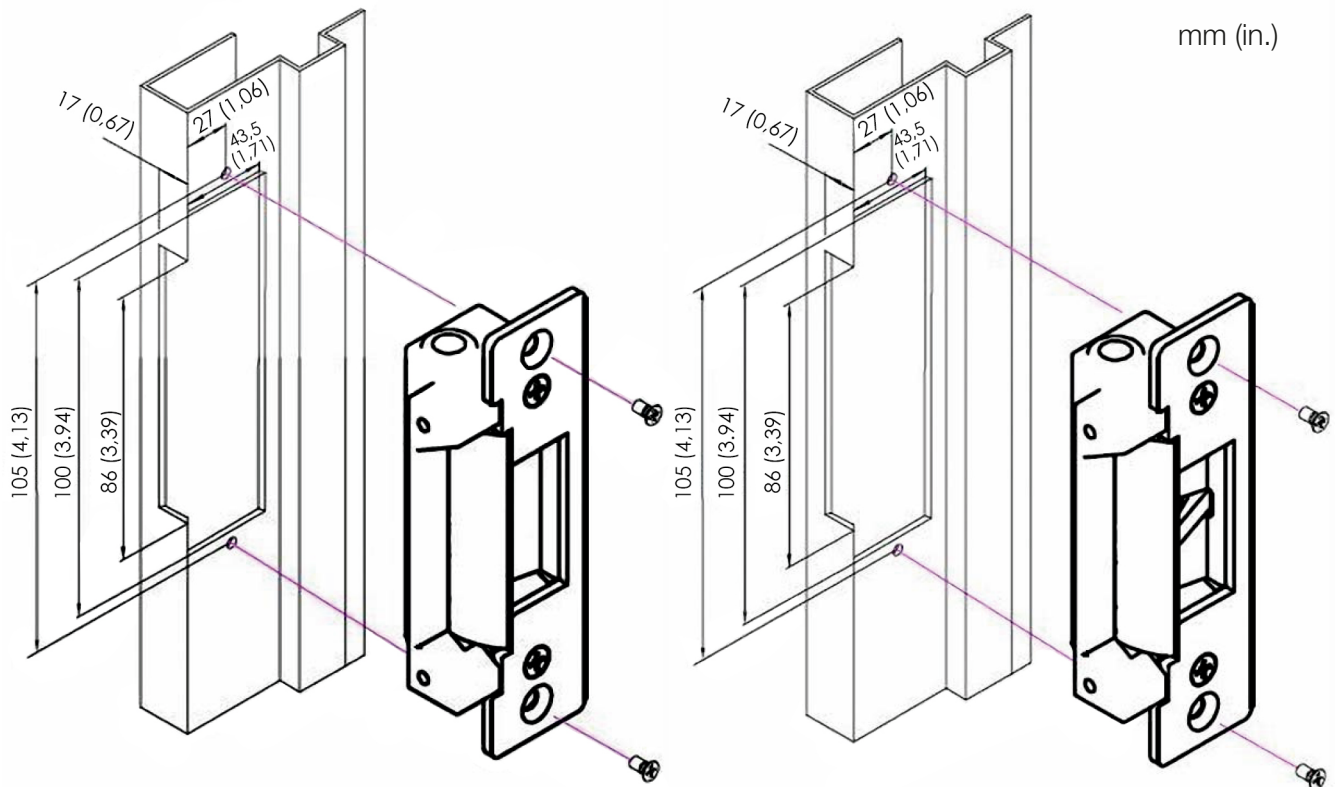
2. Make a mounting hole on the door frame using the body of the strike as the template to make a proper cutout. Ensure that if the mortise lock being used has a deadlocking snib or trigger, the location of the strike must not allow the snib to enter the 'keep' area.

3. Position the strike and drill the two fixing holes.

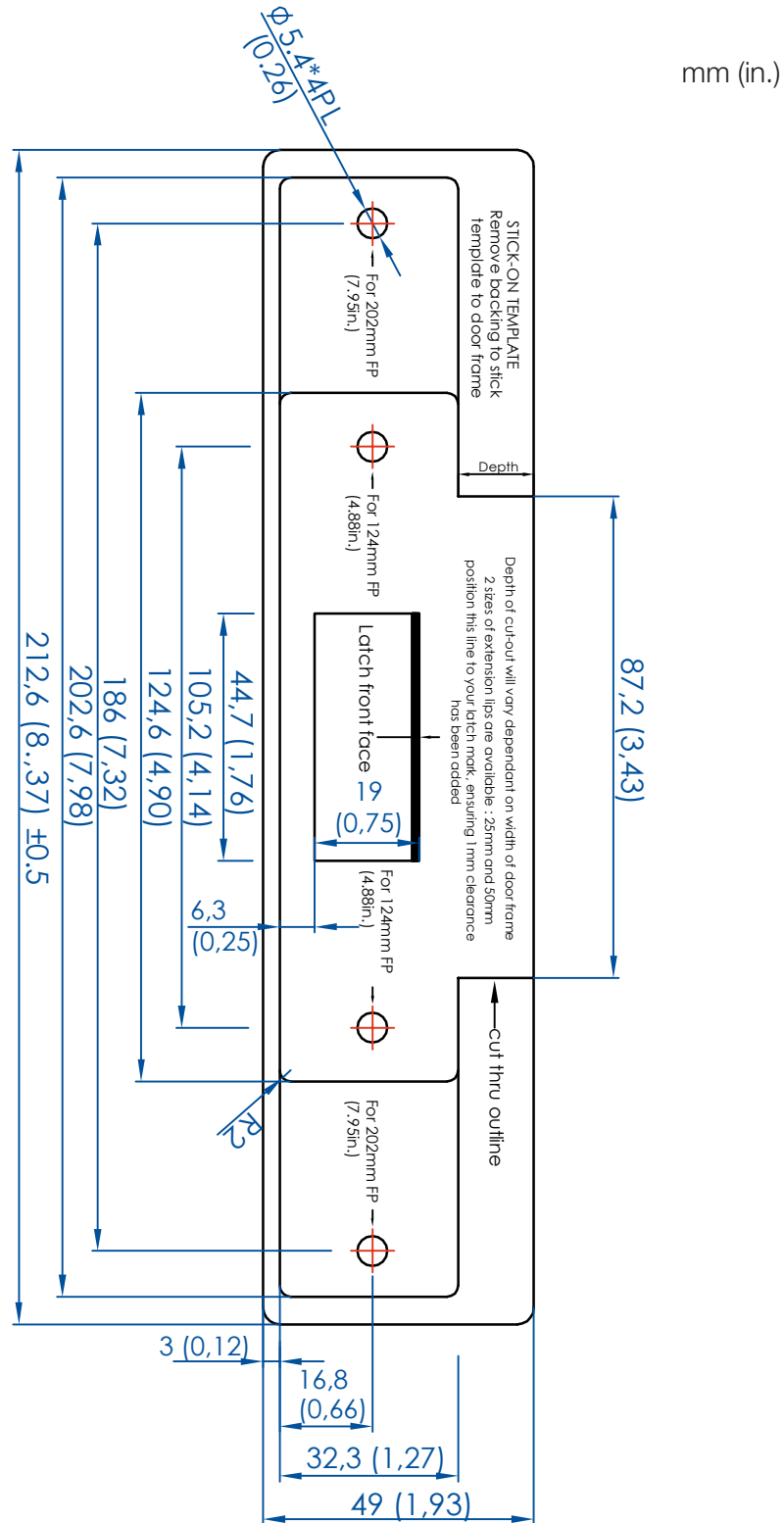
4. Ensure that all wiring is correctly terminated and not snagged within the mortise. Install the strike temporarily in this correct position and check that there is no mechanical interference between the door, the lock faceplate and the strike face and extension lip (if fitted) during the closing cycle.

5. Check that no side load pressure is exerted on the strike when the door is closed.

6. Secure the strike and re-check operation.



Faceplate Installation Template:



Disclaimer: VISIONIS reserve the right to go ahead with any modifications of models or features or price without forewarning. All the information and specifications stated in this document are current at the time of publication. Attention: We are not responsible for the improper installation of this kit. If you are not handy with electrical equipment you should contact a professional electrician. You will also need to check with your local Fire authority to see if you need anything else to comply with local Fire Codes. We are not responsible for any damage or fees that can occur.



sales@visionistech.com



www.visionistech.com