



# TA-EAHV9TS

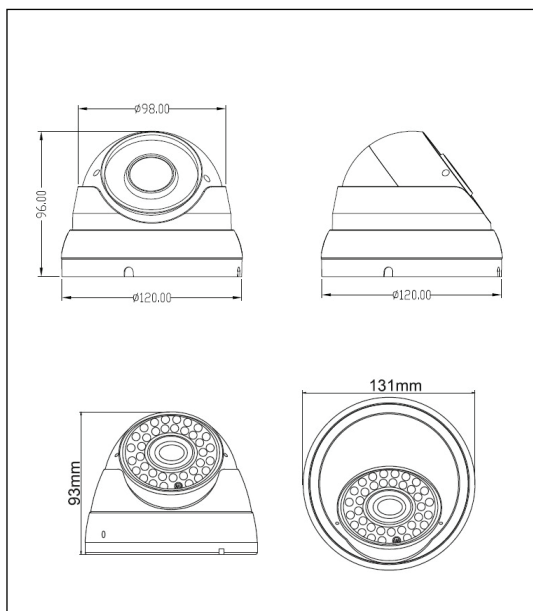
## AHD 1080P Eyeball Dome Camera



### KEY FEATURES

- 1/2.9" SONY 2.4MP CMOS SENSOR
- AHD 1080P / CVBS 960H VIDEO OUTPUT
- VARIFOCA LENS 2.8~12MM
- DWDR, 3DNR, SENSE UP, 3-AXIS
- DAY&NIGHT FUNCTION (ICR)
- VANDAL-PROOF & WATER RESISTANCE / IP65
- LED 36PCS(0LUX 30M RANGE)
- 12V DC ONLY

### DIMENSION



TA-EAHV9TS	
IMAGE SENSOR	1/2.9" SONY 2.4MP CMOS SENSOR
EFFECTIVE PIXEL	1920(H)X1080(V)
RESOLUTION DIGITAL	1080P
S/N RATE	MORE THAN 50DB(AGC OFF)
SYNC. TYPE	INTERNAL
VIDEO OUTPUT	AHD/CVBS
MIN. ILLUMINATION COLOR	0.001LUX
LED	36PCS. IR (30M RANGE)
LENS	F = 2.8(W) ~ 12.0(T)MM
DAY & NIGHT	ICR (AUTO, COLOR, B/W)
BACKLIGHT COMPENSATION	BLC / DWDR / OFF
DIGITAL NOISE REDUCTION	HIGH / MIDDLE / LOW / OFF
DIGITAL ZOOM	ON/OFF
DEFOG	DWDR OFF
MOTION DETECTION	N/A
PRIVACY MASKING	N/A
SENSE-UP	AUTO (X2-X30) OFF
WHITE BALANCE	AUTO / AUTOEXT / MANUAL
IP RATING	WATER RESISTANCE / IP65
OPERATING TEMP	-10C ~ 50C
HUMIDITY	0% TO 95%
SUPPLIED VOLTAGE	DC12V +/- 10%
POWER CONSUMPTION	MAX 700MA(AT 12V DC) : LED ON
DIMENSION	φ131 X 93(H)MM
WEIGHT APPROX.	800G
CE, FCC, ROHS	YES