

EK-S31P4T44T1-V2



Key Features

NVR301-04S3-P4

- Support Ultra 265/H.265/H.264 video formats
- 4-channel input
- Plug & Play with 4 independent PoE network interfaces
- Third-party IP cameras supported with ONVIF conformance: Profile S, Profile G, Profile T
- Support 1-ch HDMI, 1-ch VGA
- HDMI and VGA simultaneous output
- Up to 8MP resolution recording
- 1 SATA HDD
- Support cloud upgrade

EC-T4F28M

- Day/night functionality
- Smart IR, up to 30 m (98 ft) IR distance
- 2D/3D DNR (Digital Noise Reduction)
- Ultra 265, H.265, H.264, MJPEG
- ROI (Region of Interest)
- ONVIF Conformance
- Wide temperature range: -30°C ~ +60°C (-22°F ~ 140°F)
- Wide voltage range of ±25%
- IP67

Specifications

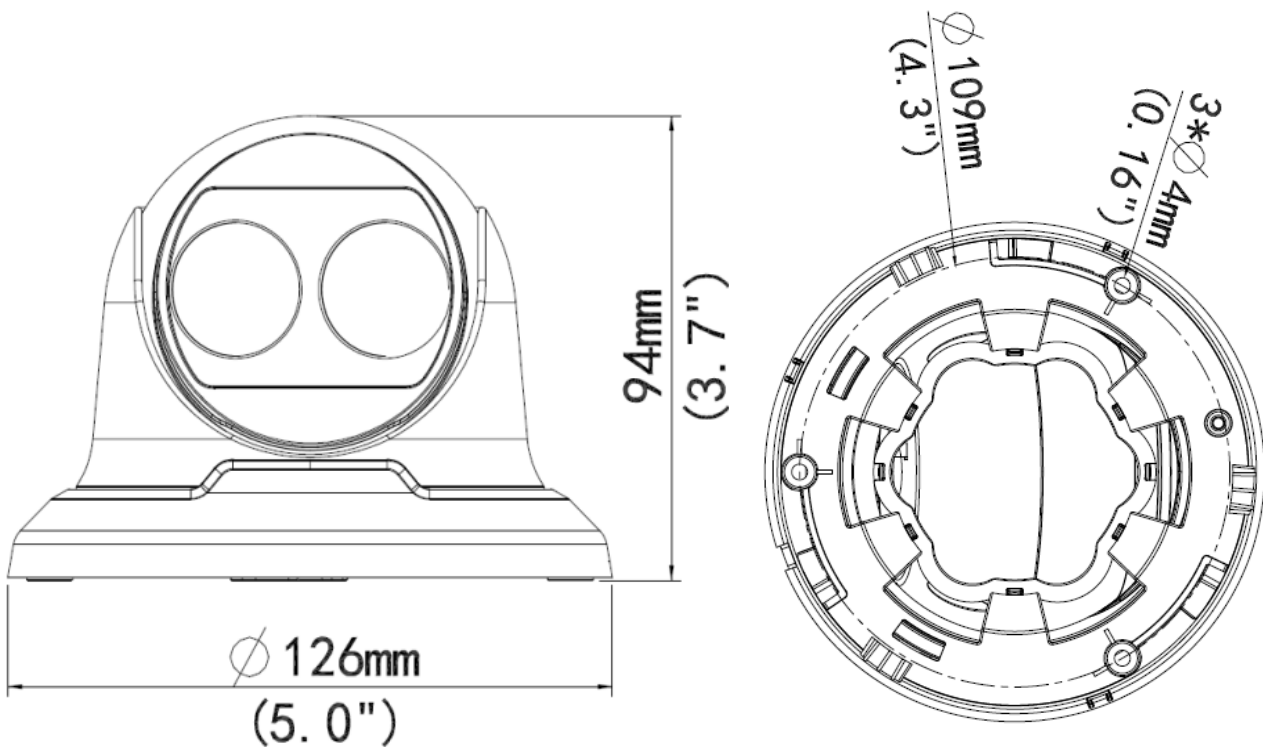
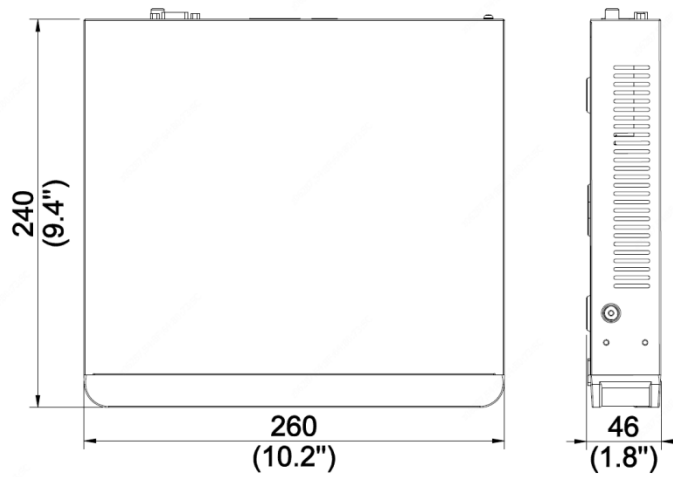
Model	NVR301-04S3-P4
Video/Audio Input	
IP Video Input	4-ch
Network	
Incoming Bandwidth	64Mbps
Outgoing Bandwidth	48Mbps
Remote Users	128
Protocols	TCP/IP, P2P, UPnP, NTP, DHCP, PPPoE, HTTP, HTTPS, DNS, DDNS, SMTP, RTSP
Video/Audio Output	
HDMI/VGA Output	HDMI: 4K(3840x2160)/30Hz, 1920x1080/60Hz, 1920x1080/50Hz, 1600x1200/60Hz, 1280x1024/60Hz, 1280x720/60Hz, 1024x768/60Hz VGA: 1920x1080/60Hz, 1920x1080/50Hz, 1600x1200/60Hz, 1280x1024/60Hz, 1280x720/60Hz, 1024x768/60Hz
Recording Resolution	4K/5MP/4MP/3MP/1080p/960p/720p/D1/2CIF/CIF
Audio Output	1-ch, RCA
Audio Compression	G.711A, G.711U
Synchronous Playback	4-ch
Corridor Mode Screen	3/4
Decoding	
Decoding format	Ultra 265/H.265/H.264
Liveview/Playback	4K/5MP/4MP/3MP/1080p/960p/720p/D1/2CIF/CIF
Capability	1 x 4K@30, 4 x 5MP@25, 4 x 4MP@25, 4 x 3MP@25, 4 x 1080p@30
Hard Disk	
SATA	1 SATA interface
Capacity	up to 8TB for each disk
Smart	

VCA Detection by Camera	Face detection, Intrusion detection, Cross line detection, Audio detection, Enter Area, Leave Area				
VCA Search	Face Search, Behavior Search				
External Interface					
Network Interface	1 RJ45 10M/100M self-adaptive Ethernet Interface				
USB Interface	Rear panel: 2 x USB2.0				
PoE					
Interface	4 RJ-45 10M/100M self-adaptive Ethernet Interface				
Max Power	Max 30W for single port Max 54W in total				
Supported Standard	IEEE 802.3at, IEEE 802.3af				
General					
Power Supply	48V DC Power Consumption: ≤9 W (without HDD)				
Working Environment	-10°C ~ +55°C (+14°F ~ +131°F), Humidity ≤ 90% RH(non-condensing)				
Dimensions(W×D×H)	260mm ×240mm × 46 mm (10.2" × 9.4" ×1.8")				
Weight (without HDD)	≤1.1kg (2.43lb)				
Model	EC-T4F28M				
Camera					
Sensor	1/3", 4.0 megapixel, progressive scan, CMOS				
Min. Illumination	Colour: 0.01Lux (F2.0, AGC ON) 0Lux with IR				
Day/Night	IR-cut filter with auto switch (ICR)				
Shutter	Auto/Manual, 1 ~ 1/100000s				
Adjustment angle	Pan: 0° ~ 360° , Tilt: 0° ~ 75° , Rotate: 0° ~ 360°				
S/N	>56dB				
WDR	DWDR				
Lens					
Lens Type	2.8mm @2.0, Fixed-focal				
Lens Mount	M12				
Angle of View (H)	97.0°				
Angle of View (V)	52.2°				
Angle of View (O)	107.5°				
DORI					
DORI Distance	Lens (mm)	Detect (m)	Observe (m)	Recognize (m)	Identify (m)
	2.8	63.0	25.2	12.6	6.3
Illuminator					
IR Range	Up to 30m (98ft) IR range				
Wavelength	850nm				
IR On/Off Control	Auto/Manual				
Video					
Video Compression	Ultra 265, H.265, H.264, MJPEG				
H.264 code profile	Baseline profile, Main profile, High profile				
Frame Rate	Main Stream: 4MP (2560*1440), Max 25fps; 3MP (2304*1296), Max 30fps; 1080P (1920*1080), Max 30fps; 720P (1280*720), Max 30fps				

	Sub Stream:D1 (720*576), Max 30fps; 640*360,Max 30fps; 2CIF(704*288), Max 30fps; CIF(352*288), Max 30fps;
Video Bit Rate	128 Kbps~6144 kbps
U-code	Supported
OSD	Up to 4 OSDs
Privacy Mask	Up to 4 areas
ROI	Up to 8 areas
Motion Detection	Up to 4 areas
Image	
White Balance	Auto/Outdoor/Fine Tune/Sodium Lamp/Locked/Auto2
Image Setting	Image rotation, brightness, saturation, contrast, sharpness, gain adjustable by web browser
Digital noise reduction	2D/3D DNR
Smart IR	Support
Flip	Normal/Vertical/Horizontal/180°
Dewarping	N/A
HLC	Supported
BLC	Supported
Defog	Digital Defog
Events	
Behavior Detection	Cross line, intrusion(based on human body detection)
	Motion detection, tampering alarm
General Function	Watermark, IP address filtering, access policy, ARP protection, RTSP authentication, user authentication
Storage	
Edge Storage	Micro SD, up to 128GB
Network Storage	ANR, NAS(NFS)
Network	
Protocols	IPv4, IGMP, ICMP, ARP, TCP, UDP, DHCP, RTP, RTSP, RTCP, RTMP, DNS, DDNS, NTP, FTP, UPnP, HTTP, HTTPS, SMTP, QoS, SSL/TLS, SNMP
Compatible Integration	ONVIF (Profile S, Profile G, Profile T), API , SDK
User/Host	Up to 32 users. 2 user levels: administrator and common user
Security	Password protection, Strong password, HTTPS encryption, Export operation logs, Basic and digest authentication for RTSP, Digest authentication for HTTP, TLS 1.2, WSSE and digest authentication for ONVIF
Client	EZStation EZView EZLive
Web Browser	Plug-in required live view: IE9+, Chrome 41 and below, Firefox 52 and below
	Plug-in free live view: Chrome 57.0+, Firefox 58.0+, Edge 16+
Interface	
Network	1 * RJ45 10M/100M Base-TX Ethernet
Certification	
EMC	FCC: FCC Part 15
Safety	CE: EN 60950-1
	UL: UL60950-1
	IEC 60950-1

General	
Power	DC 12V±25%, PoE (IEEE 802.3af)
	Power consumption: Max 4.0W
Power Interface	∅ 5.5mm coaxial power plug
Material	Metal
Working Environment	-30°C ~ 60°C (-22°F ~ 140°F), Humidity: ≤95% RH (non-condensing)
Storage Environment	-30°C ~ 60°C (-22°F ~ 140°F), Humidity: ≤95% RH (non-condensing)
Surge Protection	4KV
Reset Button	N/A
Ingress Protection	Ingression protection: IP67

Dimensions





Zhejiang Uniview Technologies Co., Ltd.

Building No.10, Wanlun Science Park, Jiangling Road 88, Binjiang District, Hangzhou, Zhejiang, China

Email: overseasbusiness@uniview.com; globalsupport@uniview.com

<http://www.uniview.com>

©2019 Zhejiang Uniview Technologies Co., Ltd. All rights reserved.

* Product specifications and availability are subject to change without notice.