

APPLICATION:

The Elk UltraProx Weigand Reader is a compact, technically advanced external proximity reader with 26 bit Weigand output for use with most access controllers and the Elk M1 control family. It is ideal for higher security installations and as an alternative to remembering PIN codes.

FEATURES:

- Compatible with ELK M1 control family
- Compatible with most access controllers
- 26-bit Weigand Output
- Slimline waterproof housing with epoxy potted electronics
- User configurable inputs for the onboard buzzer and green LED
- Compatible with Clamshell Style (Credit Card size) Proximity Cards (ELK-M1PRC)
- Compatible with Keychain Style Proximity Fobs (ELK-M1PRF)
- Substitutes for User Code Pin Entry

Features or Specifications subject to change without notice.

SPECIFICATIONS:

- Reader Format: 26 bit Weigand
- Nominal Read Range: ~ 3"
- Operating Voltage: 12 VDC
- Current Draw: 50 mA.
- Size: 1.9 W x 3.2" H x .9" D

CARDS AND FOBS (ordered separately)

ELK-M1PRC Prox Cards

- Pack of 10, White clam shell style card
- Size: 2 1/8" L x 3 3/8" H x 3/16" T

ELK-M1PRF Prox Fobs

- Pack of 10, Black keyring fobs
- Size: 2 1/8" L x 1 1/4" H x 1/4" T

ENROLLING PROX CARDS AND FOBS WITH M1 CONTROL

Each prox card/fob must be enrolled into a User Code location, using the same procedures that are used to add/change User Code PINs.

1. On the Keypad, press the center ELK key.
2. Press 6 to jump directly to Menu 06 - Change User Codes OR Use the UP or DOWN arrow keys to scroll to the menu.
3. Press the RIGHT arrow key to select Menu 6. Enter a Master user code (PIN) to gain access to this menu.
4. Use the UP or DOWN arrow keys to scroll to the User Code location (001 to 099) where the Prox card/fob is to be enrolled. OR enter the three digit number, i.e., 050 for User 50.
5. Select CHG by pressing the RIGHT arrow key.
6. The keypad will display the existing 4 or 6 digit code that is programmed for this user along with any programmed name.
7. Place a new (not previously enrolled) prox card/fob near the UltraProx Weigand Reader. The nominal read range is approximately 3" from the front surface. The clam-shell type prox cards generally have a better read range than fobs.
8. If the keypad accepts the new prox card/fob, it will beep 3 times and display a 12 digit code, which is part of the ID stored in the card/fob. If the keypad rejects the prox card/fob, it will produce a low error tone and display:
Code Not Authorized, Redo
The reject error may be caused by:
A. The card or fob has already been enrolled (the M1 does not allow duplicate codes)
OR
B. The facility code stored in the prox card/fob does not match the ELK facility code. The UltraProx Weigand Reader can only read cards/fobs which have the matching facility code.
9. After a prox card/fob has been enrolled into a user code location, its capabilities are set by the User Code Options found in Menu 02 of the M1 Installer Level Programming. The most common of these options are:
 - Arm the M1 Control.
 - Disarm the M1 Control.
 - Access - Trip output to de-energize a lock **

** The activation assignment for M1 Outputs requires the Whenever/And/Then Rules programming of the Elk-RP Software.

The following example is a rule to activate Output 003 for 10 seconds when a valid prox card/fob (with Access Option enabled) is presented at Keypad 01. The output could be used to break or make power to a door strike.

WHENEVER Keypad 01 Access is Activated
THEN Turn On Output 003 for 10 seconds.

INSTALLATION

The reader is designed for surface mounting adjacent to the door being controlled. The unit is fully sealed for indoor or outdoor use. Installation requires 2 mounting holes and a 0.3" cable hole.

WIRING

The wires should be terminated using appropriate "splice" connectors (not supplied). The piezo beeper and the green LED are installer configurable, requiring a switched negative to activate. They can be wired as required to the controlling device.

GREEN -	Weigand Data 0	VIOLET -	Not Used
WHITE -	Weigand Data 1	BLUE -	Buzzer Control (Negative "--" Input)
RED -	Power Input +12VDC	BROWN -	Green LED Control (Negative "--" Input)
BLACK -	Power Input -12VDC Negative	SHIELD -	Connected Internally to Negative

POWER SUPPLY

The Weigand Reader would normally be supplied power from the control panel or controller to which it is connected. Read range may be greater with a linear (non-switch mode) power supply.

ENROLLING CARDS AND FOBS

For instructions on enrolling cards and fobs, refer to the installation manual for the controller the Weigand reader is connected to. Instructions for enrolling cards and fobs into an M1 controller can be found on the front of this installation sheet.

Connecting an ELK-106055 Ultraprox Weigand Reader to an ELK-M1KP Keypad (Requires Purchase of ELK-WO35A Cable)

1. Turn Off the M1 Master Power Switch.
2. Using the W035A Cable Assembly, splice wires as indicated in Figure 1.
3. Remove the M1KP Keypad from its mounting plate, disconnect the 6 pin data bus cable, and place face down on a soft surface.
4. Locate the 5 pin male connector marked J2 (see Figure 2).
5. Plug the W035A cable into connector J2
6. Reconnect the 6 pin data bus cable to connector J1 and install the keypad onto its mounting plate.
7. Turn On the M1 Master Power Switch. Refer to the instructions for enrolling cards or fobs.

Figure 1

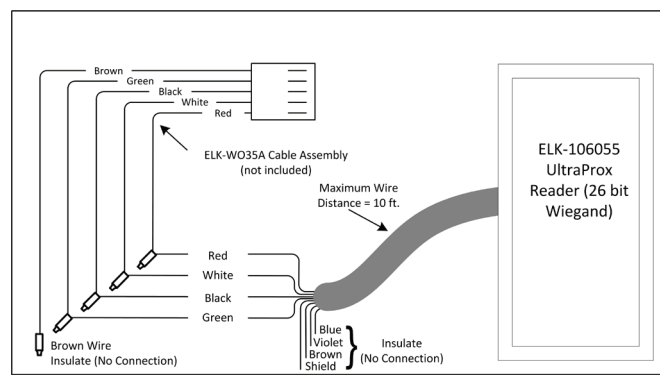


Figure 2

