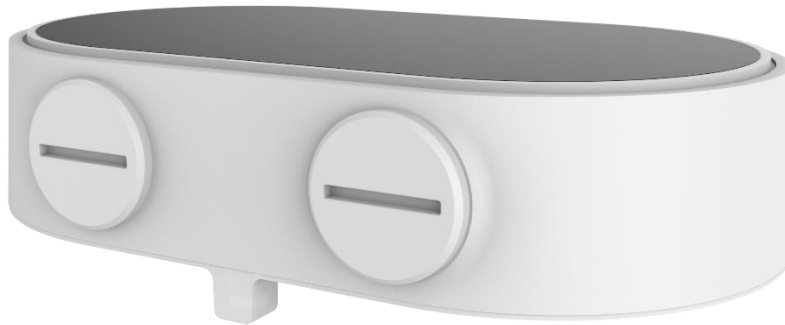


Dual-channel Dome Junction Box

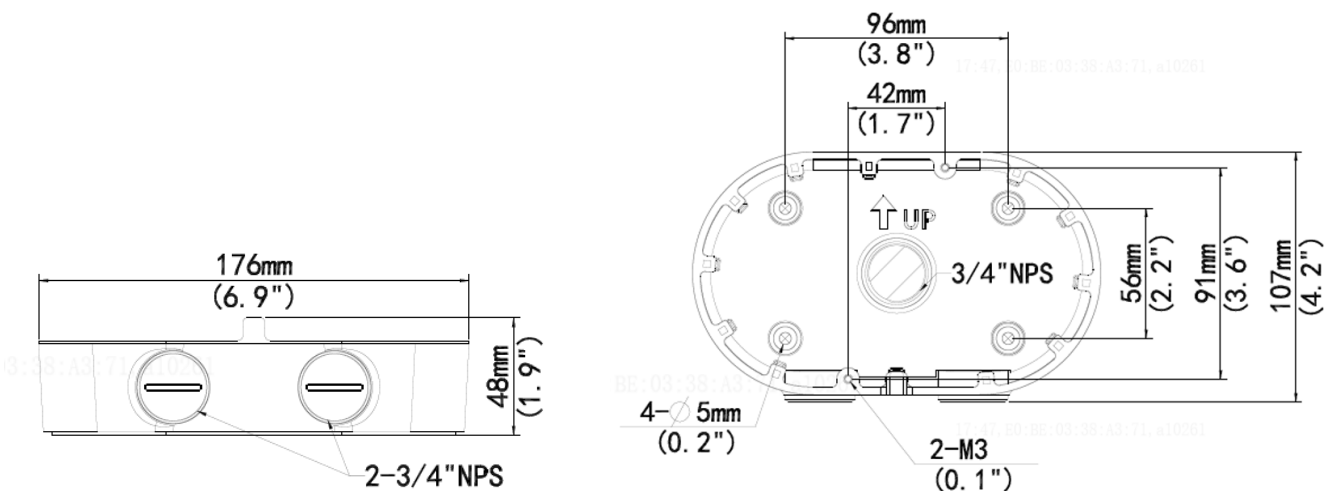
TR-JB08



Specifications

Bracket	TR-JB08
Application	Junction box for IPC322XSS Series Dual-channel Dome
Dimensions	Φ176mm x 107mm x 48mm (6.9" x 4.2" x 1.9")
Weight	0.24kg(0.53lb)
Material	Aluminum alloy

Dimensions



Zhejiang Uniview Technologies Co., Ltd.

Building No. 369, Xietong Road, Xixing Sub-district, Binjiang District, Hangzhou City, Zhejiang Province, China (310051)

Email: overseasbusiness@uniview.com; globalsupport@uniview.com

<http://www.uniview.com>

©2023 Zhejiang Uniview Technologies Co., Ltd. All rights reserved.

*Product specifications and availability are subject to change without notice.