

EK-S31P8DLT46T2



Key Features

NVR301-08S3-P8

- Support Ultra 265/H.265/H.264 video formats
- 8-channel input
- Plug & Play with 8 independent PoE network interfaces
- Third-party IP cameras supported with ONVIF conformance: Profile S, Profile G, Profile T
- Support 1-ch HDMI, 1-ch VGA
- HDMI and VGA simultaneous output
- Up to 8MP resolution recording
- 1 SATA HDD
- Support cloud upgrade

IPC3614LB-AF28K-DL

- λ High quality image with 4MP, 1/3"CMOS sensor
- λ 4MP (2560*1440)@ 25/20fps; 3MP (2304*1296) @30/25fps; 2MP (1920*1080) @30/25fps
- λ Ultra H.265,H.265, H.264
- λ Support 9:16 Corridor Mode
- λ Builtin Mic
- λ Smart IR, up to 30m (98ft) IR distance
- λ Warm Light, up to 30m (98ft) warm light distance
- λ 2D/3D DNR (Digital Noise Reduction)
- λ Support 128GB Micro SD card
- λ IP67 protection
- λ Support PoE power supply
- λ 3Axis

Specifications

Model	NVR301-08S3-P8
Video/Audio Input	
IP Video Input	8-ch

Network

Incoming Bandwidth	64Mbps
Outgoing Bandwidth	48Mbps
Remote Users	128
Protocols	TCP/IP, P2P, UPnP, NTP, DHCP, PPPoE, HTTP, HTTPS, DNS, DDNS, SMTP, RTSP

Video/Audio Output

HDMI/VGA Output	HDMI: 4K(3840x2160)/30Hz, 1920x1080/60Hz, 1920x1080/50Hz, 1600x1200/60Hz, 1280x1024/60Hz, 1280x720/60Hz, 1024x768/60Hz VGA: 1920x1080/60Hz, 1920x1080/50Hz, 1600x1200/60Hz, 1280x1024/60Hz, 1280x720/60Hz, 1024x768/60Hz
Recording Resolution	4K/5MP/4MP/3MP/1080p/960p/720p/D1/2CIF/CIF
Audio Output	1-ch, RCA
Audio Compression	G.711A, G.711U
Synchronous Playback	8-ch
Liveview display	1/4/6/8/9
Corridor Mode Screen	3/4/5/7/9

Snapshot

FTP/Schedule/Event Snapshot	1-ch snapshot, up to D1 resolution
-----------------------------	------------------------------------

Decoding

Decoding format	Ultra 265/H.265/H.264
Live view/Playback	4K/5MP/4MP/3MP/1080p/960p/720p/D1/2CIF/CIF
Capability	1 x 4K@30, 4 x 5MP@25, 4 x 4MP@25, 4 x 3MP@25, 4 x 1080p@30, 8 x 720p@30

Hard Disk

SATA	1 SATA interfaces
Capacity	Up to 8TB for each disk (The maximum HDD capacity varies with environment temperature)

Smart

VCA Detection by Camera	Face Detection, Intrusion Detection, Cross Line Detection, Enter Area, Leave Area, Audio Detection, Ultra Motion Detection(UMD)
VCA Search	Face Search, Behavior Search

General Alarm

General Alarm	Motion, Tampering, Human Body Detection, Video Loss, Alarm Input
Alert Alarm	IP Conflict, Network Disconnected, Disk Offline, Disk Abnormal, Illegal Access, Hard Disk Space Low, Hard Disk Full, Recording/Snapshot Abnormal

External Interface

Network Interface	1 RJ-45 10M/100Mself-adaptive Ethernet Interface
USB Interface	Rear panel: 2 x USB2.0
RS232	NA
RS485	NA
Alarm In	NA
Alarm Out	NA

PoE

Interface	8 RJ-45 10M/100Mself-adaptive Ethernet Interface
Max Power	Max 30W for single port Max 75W in total

Supported Standard	IEEE 802.3at, IEEE 802.3af
General	
Power Supply	52V DC Power Consumption: ≤9 W (without HDD)
Working Environment	-10°C~+ 55°C (+14°F~+131°F), Humidity ≤ 90% RH (non-condensing)
Dimensions (W×D×H)	260mm ×240mm × 46 mm (10.2" × 9.4" ×1.8")
Weight (without HDD)	≤1.1kg (2.43lb)
Certification	
Certification	CE, FCC, UL, RoHS, WEEE
CE	EN 55032: 2015, EN 61000-3-3: 2013, EN IEC 61000-3-2: 2019, EN 55035: 2017
FCC	Part15 Subpart B, ANSI C63.4

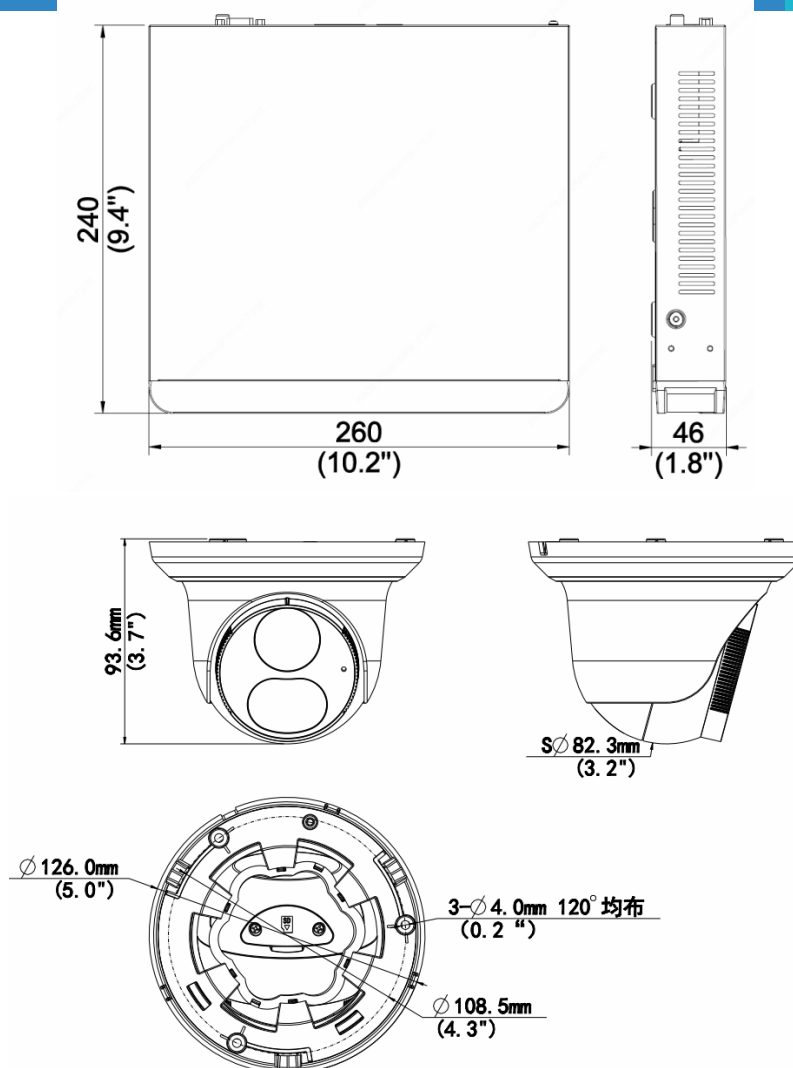
Specifications

Model	IPC3614LB-AF28K-DL
Resolution	4MP
Sensor	1/3.0" CMOS
Min. Illumination	Colour: 0.01 lux (F1.6, AGC ON) 0 lux with IR
Day/Night	IRcut filter with auto switch (ICR)
Shutter	Auto/Manual, 1 ~ 1/100000s
Adjustment angle	Pan: 0° ~ 360°, Tilt: 0° ~ 80°, Rotate: 0° ~ 360°
S/N	>52dB
WDR	DWDR
Lens	Description
Lens type	2.8mm
Iris Type	Fixed
Iris	F1.6
Field of View (H)	97.0°
Field of View (V)	52.2°
Field of View (D)	107.5°
DORI	Description
DORI Distance Lens	2.8mm
DORI Distance Detect	63.0m(206.7t)
DORI Distance Observe	25.2m(82.7ft)
DORI Distance Recognize	12.6m(41.3ft)
DORI Distance Identify	6.3m(20.7ft)
Illuminator	Description
Illumination Distance(IR)	30m
Illumination Distance(Warm Light)	30m
Wavelength	850nm
IR On/Off Control	Auto/Manual
Video	Description

Video Compression	Ultra 265; H.265; H.264; MJPEG
H.264 code profile	Baseline profile, Main profile, High profile
Frame Rate	Main Stream: 4MP (2560*1440), Max 25fps; 3MP (2304*1296), Max 30fps; 1080P (1920*1080), Max 30fps; 720P (1280*720), Max 30fps Sub Stream: D1 (720*576), Max 30fps; 640*360,Max 30fps; 2CIF(704*288), Max 30fps; CIF(352*288), Max 30fps;
Video Bit Rate	128 Kbps~6144 Kbps
U-code	Support
OSD	Up to 4 OSDs
Privacy Mask	Up to 4 areas
ROI	Up to 8 areas
Video stream	Dual streams
Image	Description
White Balance	Auto; Outdoor; Fine Tune; Sodium Lamp; Locked; Auto2
Digital noise reduction	2D/3D DNR
Smart IR	Support
Flip	Normal; Flip Vertical; Flip Horizontal; 180°; 90°Clockwise; 90°Anticlockwise
Dewarping	N/A
HLC	Support
BLC	Support
Defog	Digital Defog
Events	Description
Basic Detection	Motion detection; Tampering alarm; Audio detection, Human Body Detection
General Function	Watermark; IP Address Filtering; Access Policy; ARP Protection; RTSP Authentication; User Authentication; HTTP authentication
Audio	Description
Audio Compression	G.711U; G.711A
Audio Bitrate	64 Kbps
Two-way Audio	N/A
Suppression	Support
Sampling Rate	8KHZ
Storage	Description
Edge Storage	Micro SD up to 128 GB
Network Storage	ANR; NAS(NFS)
Network	Description
Protocols	IPv4; IGMP; ICMP; ARP; TCP; UDP; DHCP; RTP; RTSP; RTCP; RTMP; DNS; DDNS; NTP; FTP; UPnP; HTTP; HTTPS; SMTP; QoS; SSL/TLS; SNMP
Compatible Integration	ONVIF (Profile S, Profile G, Profile T); API; SDK
User/Host	Up to 32 users, 2 user levels: administrator and common user
Security	Password protection; Strong password; HTTPS encryption; Export operation logs; Basic and digest authentication for RTSP; Digest authentication for HTTP; TLS 1.2; WSSE and digest authentication for ONVIF

Client	UNVLink; UNVLink Pro; EZStation
Web Browser	Plugin required live view: IE 10 and above, Chrome 45 and above, Firefox 52 and above, Edge 79 and above; Plugin free live view: Chrome 57.0 and above, Firefox 58.0 and above, Edge 16 and above
Interface	Description
Audio I/O	N/A
Alarm I/O	N/A
Serial Port	N/A
Built-in Mic	Support
Built-in Speaker	N/A
WIFI	N/A
Network	1 * RJ45 10M/100M BaseTX Ethernet
Video Output	N/A
Certification	Description
EMC	CEEMC (EN 55032, EN 6100033, EN IEC 6100032, EN 50130) FCC (FCC 47 CFR part15 B)
Safety	CE LVD (EN 623681) UL/CUL (UL 623681, CAN/CSA C22.2 No. 623681)
Environment	CERoHS (2011/65/EU;(EU)2015/863); WEEE (2012/19/EU);
Protection	IP67 (IEC 60529)
General	Description
Power	DC 12V±25%, PoE (IEEE 802.3af) Power consumption: Max 2.8W
Power Interface	Ø 5.5mm coaxial power plug
Dimensions	Φ126 x 93.6mm (Φ5.0" x 3.7")
Weight	0.29kg (0.64lb)
Material	Metal + Plastic
Working Environment	30 °C ~ 60 °C (22 °F ~ 140 °F), Humidity: ≤95% RH (noncondensing)
Storage Environment	30 °C ~ 60 °C (22 °F ~ 140 °F), Humidity: ≤95% RH (noncondensing)
Surge protection	4KV
Reset button	N/A
Web Client Language	4 Languages English, Russian, Spanish, Vietnamese

Dimensions


Zhejiang Uniview Technologies Co., Ltd.

Building No.10, Wanlun Science Park, Jiangling Road 88, Binjiang District, Hangzhou, Zhejiang, China

Email: overseasbusiness@uniview.com; globalsupport@uniview.com

<http://www.uniview.com>

©2019 Zhejiang Uniview Technologies Co., Ltd. All rights reserved.

* Product specifications and availability are subject to change without notice.