

4 x 5MP LightHunter Multi-sensor VF Network Dome Camera

IPC8645EA-ADZKM-I1



Features

- One IP with four channels
- Support multiple intelligent functions, different function of each channel can be enabled at the same time to satisfy various analysis requirement
- Pan, tilt, rotation angle of each lens can be adjusted independently, suitable for more complicated scenes
- 4 channel video output, 2880*1620@30fps in the main stream of each channel, provide high definition image
- Ultra 265, H.265, H.264, MJPEG

- Smart intrusion prevention, support false alarm filtering, realize accurate detection based on specific target
- Face capture, automatic selection of best snapshots and face attribute collection
- People Counting, support people flow counting and crowd density monitoring, suitable for different statistical scenarios
- LightHunter technology ensures ultra-high image quality in low illumination environment
- Up to 130 dB Optical WDR (Wide Dynamic Range)
- IP67 ingress

Specifications

Camera	Description
Channel	4
Sensor	1/2.7" CMOS
Min. Illumination	Colour: 0.002 lux (F1.6, AGC ON) 0 lux with IR on
Day/Night	IR-cut filter with auto switch (ICR)
Shutter	Auto/Manual, 1 ~ 1/100000s
Adjustment Angle	Pan: 0° ~ 360°, Tilt: 0° ~ 65°, Rotate: 0° ~ 355°
S/N	>56dB
Lens	Description
Focal Length	2.7-13.5mm
Iris	F1.2
Iris Type	DC-Iris
Field of View (H)	(W)110.3°~(T)31°
Field of View (V)	(W)57.1°~(T)17.5°
Field of View (D)	(W)130.2°~(T)67.4°
Lens Type	5X
DORI	Description
DORI Distance(Detect)	70.9m~247.5m(232.5ft~812.0ft)
DORI Distance(Observe)	28.4m~99.0m(93.0ft~324.8ft)
DORI Distance(Recognize)	14.2m~49.5m(46.5ft~162.4ft)
DORI Distance(Identify)	7.1m~24.8m(23.3ft~81.2ft)
Illuminator	Description

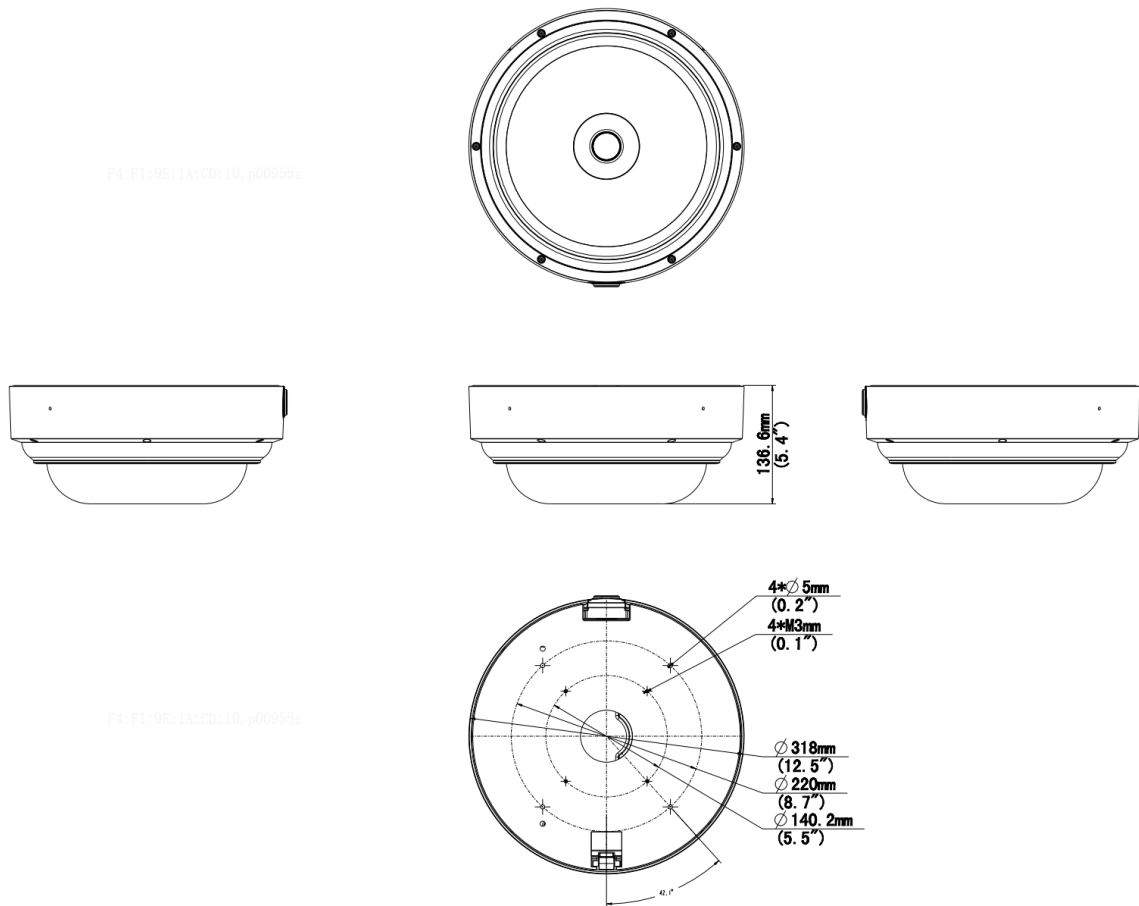
Illumination Distance(IR)	50 m (164.0 ft)
Wavelength	850 nm
IR On/Off Control	Auto/Manual
Image	Description
Digital Noise Reduction	2D/3D DNR
Smart IR	Support
White Balance	Auto; Outdoor; Fine Tune; Sodium Lamp; Locked; Auto2
Flip	Normal; Flip Vertical; Flip Horizontal; 180°; 90°Clockwise; 90°Anti-clockwise
HLC	Support
Defog	Digital Defog
Intelligent	Description
Smart Intrusion Prevention	Cross line detection, Intrusion detection, Enter area detection, Leave area detection
Events	Description
UMD (Ultra Motion Detection)	Support
Tampering Detection	Support
Audio Detection	Support
Network	Description
Protocols	IPv4; IPv6; IGMP; ICMP; ARP; TCP; UDP; DHCP; PPPoE; RTP; RTSP; RTCP; RTMP; DNS; DDNS; NTP; FTP; UPnP; HTTP; HTTPS; SMTP; 802.1x; SNMP; QoS; SSL/TLS; SSH
Compatible Integration	ONVIF (Profile S, Profile G, Profile T, Profile M); API; SDK
User/Host	Up to 32 users. 3 user levels: administrator, common user and operator
Security	Password protection; Strong password; HTTPS encryption; Export operation logs; Basic and Digest Authentication for RTSP; Digest Authentication for HTTP; TLS 1.2; WSSE and Digest Authentication for ONVIF
Client	UNV-Link; UNV-Link Pro; EZStation
Web Browser	Plug-in required live view: IE 10 and above, Chrome 45 and above, Firefox 52 and above, Edge 79 and above; Plug-in free live view: Chrome 57.0 and above, Firefox 58.0 and above, Edge 16 and above
Storage	Description
Edge Storage	Micro SD, up to 1 TB
Network Storage	ANR; NAS (NFS)
Video	Description

Video Compression	Ultra 265; H.265; H.264; MJPEG
H.264 Code Profile	Baseline profile, Main profile, High profile
Video Bit Rate	128 Kbps ~ 16 Mbps
U-code	Support
ROI	Up to 8
Video Stream	Triple streams
OSD	Up to 10 OSDs
Privacy Mask	Up to 8
Audio	Description
Audio Compression	G.711U; G.711A
Two-way Audio	Support
Sampling Rate	8 KHz
Interface	Description
Audio I/O	1/1
Alarm I/O	3/2
Built-in Mic	Support
Network	10M/100M/1000M Base-TX Ethernet
Certification	Description
EMC	CE-EMC (EN 55032, EN 61000-3-3, EN IEC 61000-3-2, EN 50130) FCC (FCC 47 CFR part15 B)
Safety	CE-LVD (EN 62368-1) UL/CUL (UL 62368-1, CAN/CSA C22.2 No. 62368-1)
Environment	CE-RoHS (2011/65/EU;(EU)2015/863); WEEE (2012/19/EU)
Protection	IP67 (IEC 60529)
General	Description
Power	DC 24V ± 25%, AC 24V ± 25%, PoE (IEEE802.3bt)
Built-in DC12V Output	Support
Power Interface	Wires with cold-pressed terminal
Dimensions	φ 318mm * 136.6mm
Weight	4.77Kg (10.52lb)
Working Environment	-30 °C ~ 60 °C (-22 °F ~ 140 °F), Humidity: 5%~95% RH
Storage Environment	-40 °C ~ 70 °C (-40 °F ~ 158 °F), Humidity: 5%~95% RH

Surge Protection

6KV

Dimensions



Zhejiang Uniview Technologies Co., Ltd.

No. 369, Xietong Road, Xixing Sub-district, Binjiang District, Hangzhou City, 310051, Zhejiang Province, China (Zhejiang) Pilot Free Trade Zone, China

Email: overseasbusiness@uniview.com; globalsupport@uniview.com

<http://www.uniview.com>

©2024 Zhejiang Uniview Technologies Co., Ltd. All rights reserved.

*Product specifications and availability are subject to change without notice.

*Despite our best efforts, technical or typographical errors may exist in this document. Uniview cannot be held responsible for any such errors and reserves the right to change the contents of this document without prior notice.